

## Concept 43 AC

### Ausstattung Akkumäher / Equipment accu-mowers

|                                       |  |
|---------------------------------------|--|
| Typ / Kurzbez. / order code           | WOLF Concept 43 AC   |
| Ausführung für / version for          | International  |
| Geräte - Nr. / article number         | 4332000  |
| Schnittbreite / cutting width         | 43 cm  |
| Chassismaterial / chassis             | Kunststoff / high-quality plastic  |
| Gewicht / weight                      | 37 kg  |
| Lautstärke / noise level              | 93 dB (A)  |
| Ø Rad vorne / Ø wheel in the front/   | 17 cm / Ø diameter   |
| Ø Rad hinten / Ø wheel at the back/   | 20 cm / Ø diameter   |
| Ausführung Räder / version wheels     | Soft-Kugellager / soft ball bearing  |
| Höhenverstellung / height adjustment  | zentral, 6-fach / central, six-fold  |
| Schnitthöhe (cm) / cutting height     | 2,0 cm - 8,0 cm  |
| Antrieb ja/nein / drive yes /no       | nein/no  |
| Motor-Modell / motor-type             | 24 V Gleichstrommotor / 24 V d.c. motor<br>(United Technologies)   |
| Motor - Nr. WOLF / motor-number       | 1055060  |
| Leistung / power                      | 900 Watt   |
| Flächenleistung / for lawns up to ... | max. 600 qm  |
| Batterie / battery                    | Blei-Wechselakku, 24 Volt/17 Ah mit<br>Ladezustandsanzeige / Exchange lead battery<br>24V/17 Ah, with battery state indicator  |
| Ladegerät / charger                   | Pb-Charger 7208/24   |
| Griffgestänge / handlebar             | Klappgriff, Höhenverstellung / folding handlebar,<br>height adjustment   |
| Fangsack / collector box              | 60 L, Art.-Nr. 6450072, Ersatzteile s. Modell 6.43 B,<br>4345000, A / 60 L, for spare parts refer to model<br>6.43 B, 4345000, A   |
| Besonderheiten / special features     | Wechselakku, Regelelektronik, Schnellladegerät,<br>Modulbauweis, Schicherheitsschlüssel /<br>exchangeable battery, electronic control,<br>boost charger, modular constructed, patent key |

#### Achtung:

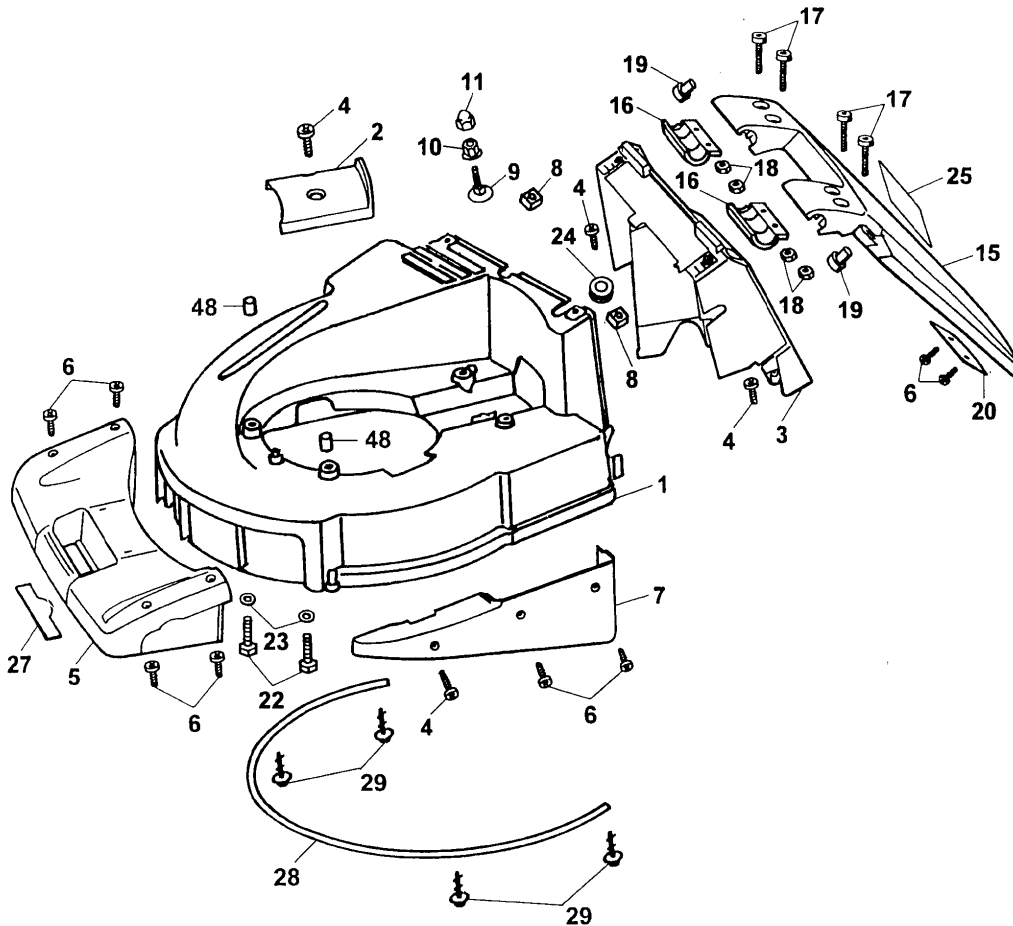
Instandsetzungen an Elektrogeräten dürfen nur von entsprechenden Fachkräften durchgeführt werden !  
Die Isolationswiderstandsmessung / Schutzleiterprüfung gemäß DIN/VDE 0701 Teil 2 ist **nach jeder Reparatur** vorzunehmen!

#### Attention:

Repairs on electrical appliances have to be led through only by competent specialists !  
The measurement of the insulating resistance / protective conductor examination according to DIN/VDE 0701 part 2 has to be carried **out after each repair!**

# H10

- Ⓓ Concept 43 AC 4332 000 Chassis und Anbauteile
- ⒼⒷ Concept 43 AC 4332 000 chassis add-on pieces



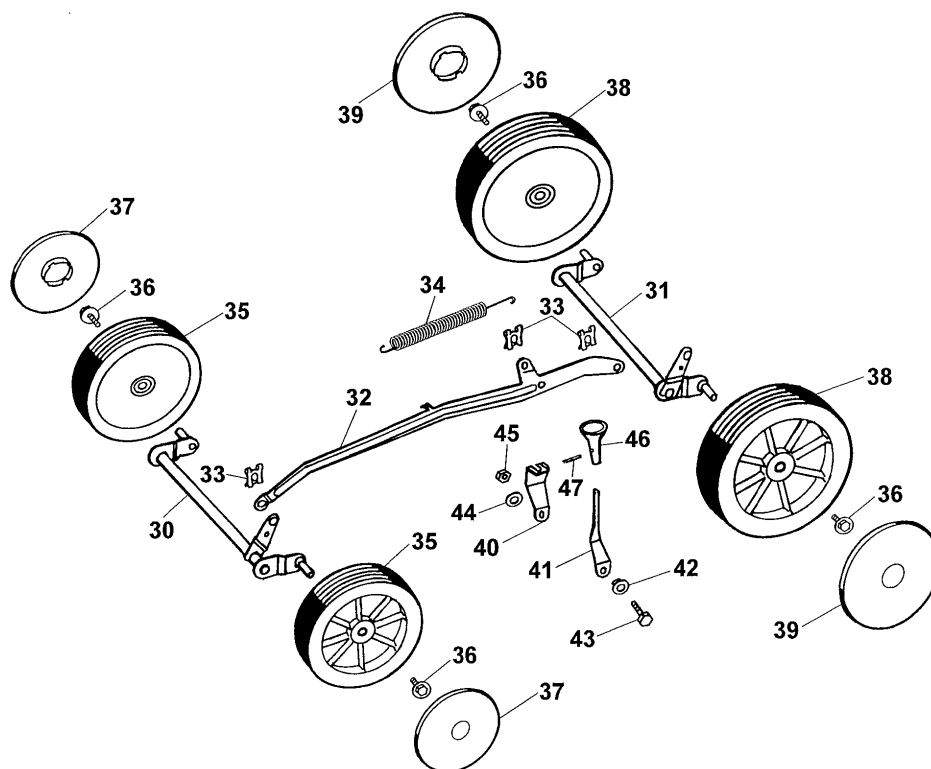
H11

**Concept 43 AC 4332 000 Chassis und Anbauteile**  
**Concept 43 AC 4332 000 chassis add-on pieces**

| Bild-Nr. /<br>Ref. No. | Best.-Nr. /<br>Part No. | Bezeichnung                     | description                     |
|------------------------|-------------------------|---------------------------------|---------------------------------|
| 1                      | 4350 320                | Chassis                         | chassis                         |
| 2                      | 6450 307                | Keilriemenabdeckung             | cover                           |
| 3                      | 6450 340                | Heckteil                        | deflector                       |
| 4                      | 0012 607                | SF-Schraube M 5x20 (3 St¼ck)    | screw M 5x20 (3 pieces)         |
| 5                      | 6450 302                | Frontverkleidung                | front panel                     |
| 6                      | 0012 605                | SF-Schraube M 5x12 (6 St¼ck)    | screw M 5x12 (8 pieces)         |
| 7                      | 6450 304                | Seitenteil, links               | cover, left                     |
| 8                      | 0016 405                | 4-kt.-Mutter M 6x8 (2 St¼ck)    | nut M 6x8 (2 pieces)            |
| 9                      | 0013 650                | Flachrundschrabe M 8x16         | screw M 8x16                    |
| 10                     | 0016 385                | 6-kt.-Mutter M 8                | nut M 8                         |
| 11                     | 6340 126                | Verschlu¼kappe M 8              | sleeve M 8                      |
| 15                     | 6450 911                | Heckkl. kpl. m. Pos. 6,19,20,25 | rear flap incl. ref. 6,19,20,25 |
| 16                     | 6450 311                | Schelle (2 St¼ck)               | clamp (2 pieces)                |
| 17                     | 0012 825                | Torx-Schraube M 5x40 (4 St.)    | screw M 5x40 (4 pieces)         |
| 18                     | 0016 210                | 6-kt.-Mutter M 5 (4 Stck.)      | nut M 5 (4 pieces)              |
| 19                     | 6450 316                | Gummipuffer (2 Stck.)           | rubber buffer (2 pieces)        |
| 20                     | 6450 149                | Gegengewicht                    | balance weight                  |
| 22                     | 0010 399                | 6-kt.-Schraube M 8x30 (2 Stck.) | screw M 8x30 (2 pieces)         |
| 23                     | 0017 291                | Scheibe A 8 (2 Stck.)           | washer A 8 (2 pieces)           |
| 24                     | 6450 314                | Gummit¼lle                      | gum                             |
| 25                     | 0051 228                | Sicherheitsetikett              | safety label                    |
| 27                     | 0051 115                | WOLF - Garten - Marke           | "WOLF-Garten" label             |
| 28                     | 4342 100                | Stabilisator                    | stabilizer                      |
| 29                     | 0012 636                | Torx-Schraube (4 Stck.)         | screw (4 pieces)                |
| 48                     | 4342 102                | Arretierh¼lse (2 Stck.)         | locking collar (2 pieces)       |

H12

- Ⓓ **Concept 43 AC 4332 000 Achse, Räder, Höhenverstellung**
- ⒼⒷ **Concept 43 AC 4332 000 axle, wheels, height-adjustment**



H13

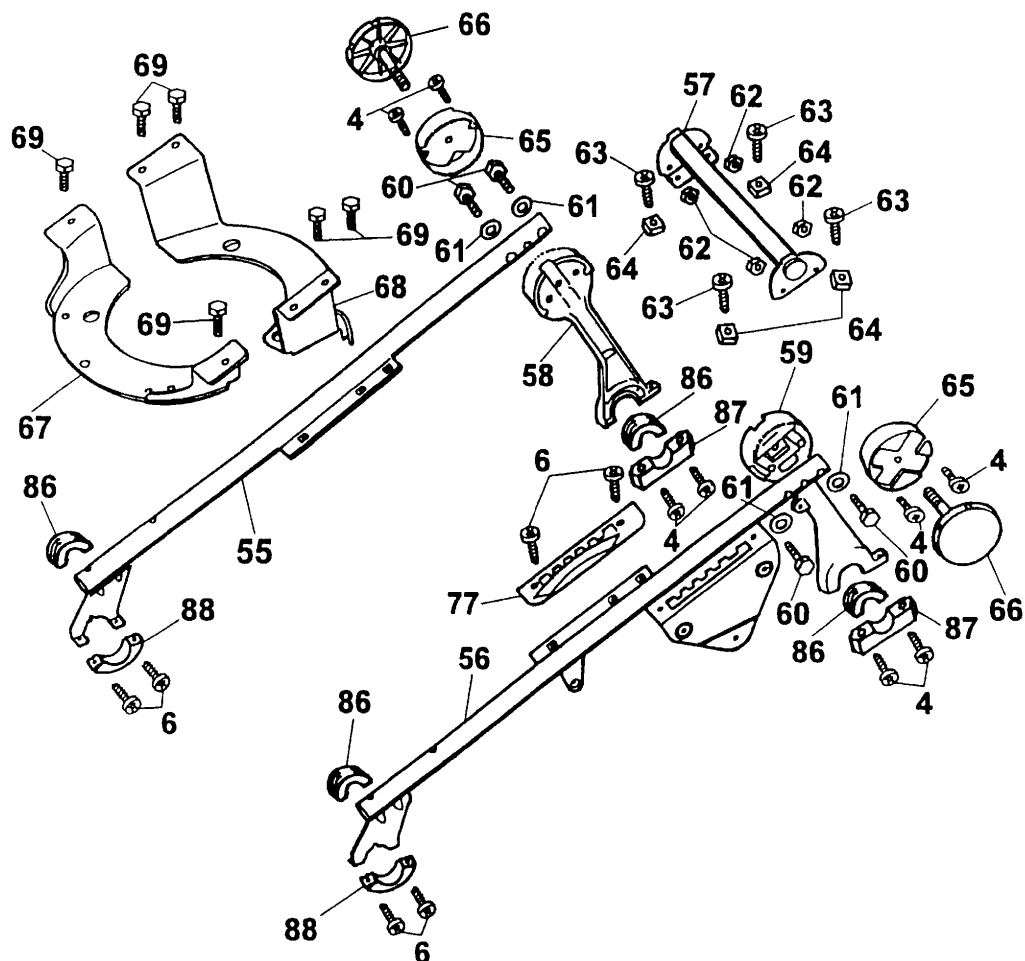
**Concept 43 AC 4332 000 Achse, RÄder, HÖhenverstellung**  
**Concept 43 AC 4332 000 axle, wheels, height-adjustment**

| Bild-Nr. /<br>Ref. No. | Best.-Nr. /<br>Part No. | Bezeichnung                | description                      |
|------------------------|-------------------------|----------------------------|----------------------------------|
| 30                     | 6450 016                | Achse, vorne               | front axle                       |
| 31                     | 6450 022                | Achse, hinten              | rear axle                        |
| 32                     | 6450 020                | Verbindungsstange          | connecting rod                   |
| 33                     | 0020 983                | SL-Sicherung (3 St¼ck)     | circlip (3 pieces)               |
| 34                     | 6450 139                | Zugfeder Verbindungsst.    | tension spring connecting rod    |
| 35                     | 6440 050                | Rad Ø 170 mm (2 St¼ck)     | wheel, 170mm dia. (2 p.)         |
| 36                     | 0010 893                | SF-Schr. M 6x12 (4 St.)    | screw M 6x12 (4 pieces)          |
| 37                     | 6450 520                | Radk. Ø 170 mm (2 St.)     | hub cap Ø 170 mm (2 p.)          |
| 38                     | 6440 051                | Rad Ø 200 mm (2 St¼ck)     | wheel, 200mm dia. (2 p.)         |
| ***                    | 6340 516                | Kugell., Stahl (2 St./Rad) | ball bearing, steel (2 p./wheel) |
| 39                     | 6450 530                | Radk. Ø 200 mm (2 St.)     | hub cap Ø 200 mm (2 p.)          |
| 40                     | 6450 134                | Verstellhebel              | adjusting lever                  |
| 41                     | 6450 132                | Federhebel                 | lever                            |
| 42                     | 6450 146                | Lagerbuchse                | bush                             |
| 43                     | 0010 377                | 6-kt.-Schraube M 6x20      | screw M 6x20                     |
| 44                     | 0017 289                | Scheibe A 6                | washer A6                        |
| 45                     | 0016 311                | 6-kt.-Mutter               | nut M 6                          |
| 46                     | 6450 913                | HÖhenverstellknopf kpl.    | knob compl.                      |
| 47                     | 0018 813                | Spannstift 3x20            | dowel pin 3x20                   |
| ***                    | 0054 160                | Gebrauchsanweisung         | operator instructions            |
| ***                    | 6450 200                | Montageanleitung           | assembly instructions            |
| ***                    | 4332 026                | Polybeutel mit ZubehÖr     | poly bag w. assembly parts       |

H14

Ⓓ Concept 43 AC 4332 000 Gestell

ⒼⒷ Concept 43 AC 4332 000 frame



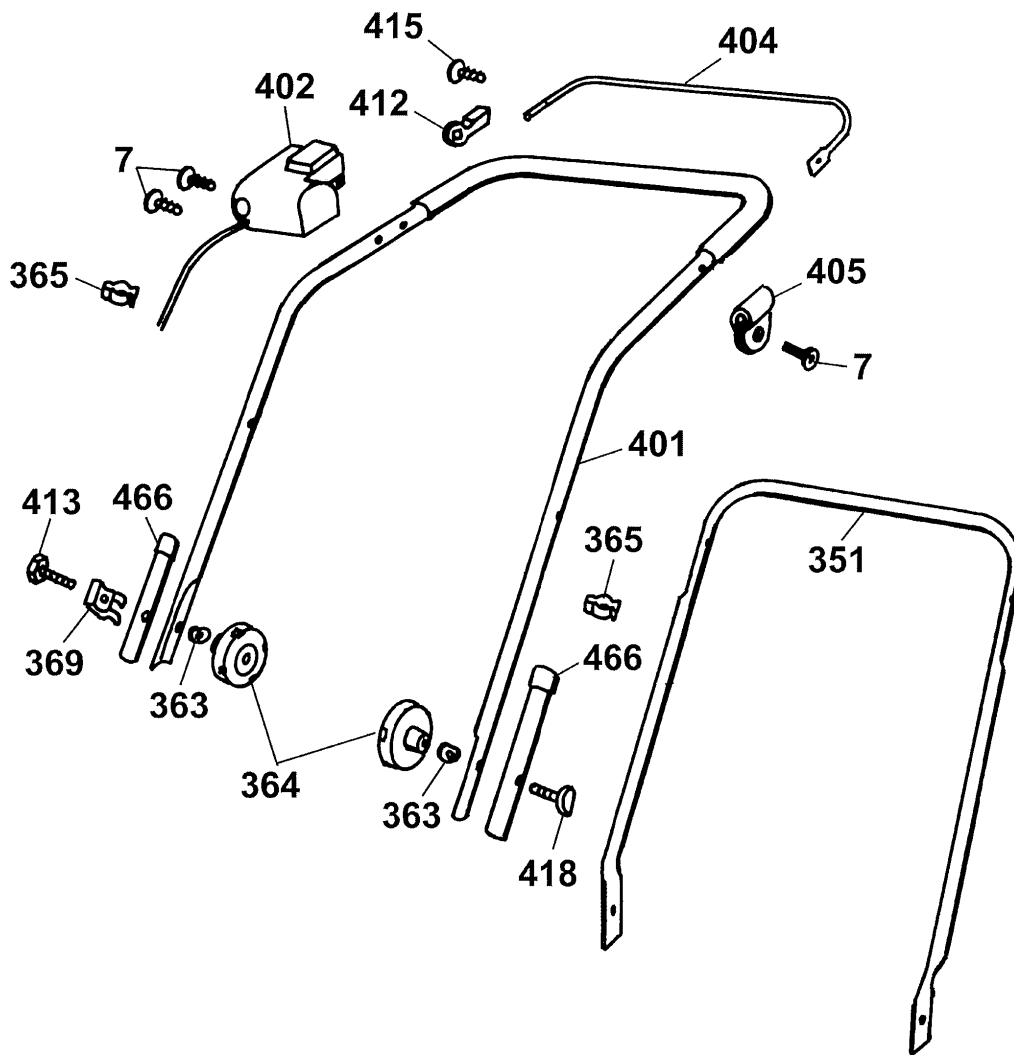
H15

**Concept 43 AC 4332 000 Gestell**  
**Concept 43 AC 4332 000 frame**

| Bild-Nr. /<br>Ref. No. | Best.-Nr. /<br>Part No. | Bezeichnung                   | description              |
|------------------------|-------------------------|-------------------------------|--------------------------|
| 4                      | 0012 607                | SF- Schr. M 5x20 (4 Stück)    | screw M 5x20 (4 pieces)  |
| 6                      | 0012 605                | SF- Schr. M 5x12 (4 Stück)    | screw M 5x12 (4 pieces)  |
| 55                     | 6450 010                | Gestell, rechts               | frame, right             |
| 56                     | 6450 012                | Gestell, links                | frame, left              |
| 57                     | 6450 014                | Rohrtraverse                  | pipe                     |
| 58                     | 6450 100                | Griffhalter, rechts           | support, right           |
| 59                     | 6450 102                | Griffhalter, links            | support, left            |
| 60                     | 0010 313                | 6-kt.-Schraube M 6x45 (4 St.) | screw M 6x45 (4 pieces)  |
| 61                     | 6150 182                | Scheibe 6,4 (gewölbt) (4 St.) | dished washer 6,4 (4 p.) |
| 62                     | 0016 311                | 6-kt.-Mutter M 6 (4 Stck.)    | nut M6 (4 pieces)        |
| 63                     | 0012 831                | Torxschraube M 6x15 (2 St.)   | screw M 6x15 (2 pieces)  |
| 64                     | 0016 405                | 4-kt.-Mutter M 6 (2 Stück)    | nut M 6 (2 pieces)       |
| 65                     | 6450 188                | Stellkranz (2 Stück)          | fixing case (2 pieces)   |
| 66                     | 4317 010                | Handrad (2 Stück)             | handwheel (2 pieces)     |
| 67                     | 6450 112                | Motorträger, vorne            | motor support, front     |
| 68                     | 6450 114                | Motorträger, hinten           | motor support, back      |
| 69                     | 0010 386                | 6-kt.-Schraube M 6x12 (6 St.) | screw M 6x12 (6 pieces)  |
| 77                     | 6450 136                | Kulisse                       | crank                    |
| 86                     | 6450 309                | Lagerschale (4 Stück)         | bearing shell (4 pieces) |
| 87                     | 6430 323                | Stützschale, hinten (2 Stück) | shell, back (2 pieces)   |
| 88                     | 6450 305                | Stützschale, vorne (2 Stück)  | shell, front (2 pieces)  |

H16

- Ⓓ Concept 43 AC 4332 000 Griff, Schalter
- ⒼⒷ Concept 43 AC 4332 000 handlebar, switch



H17



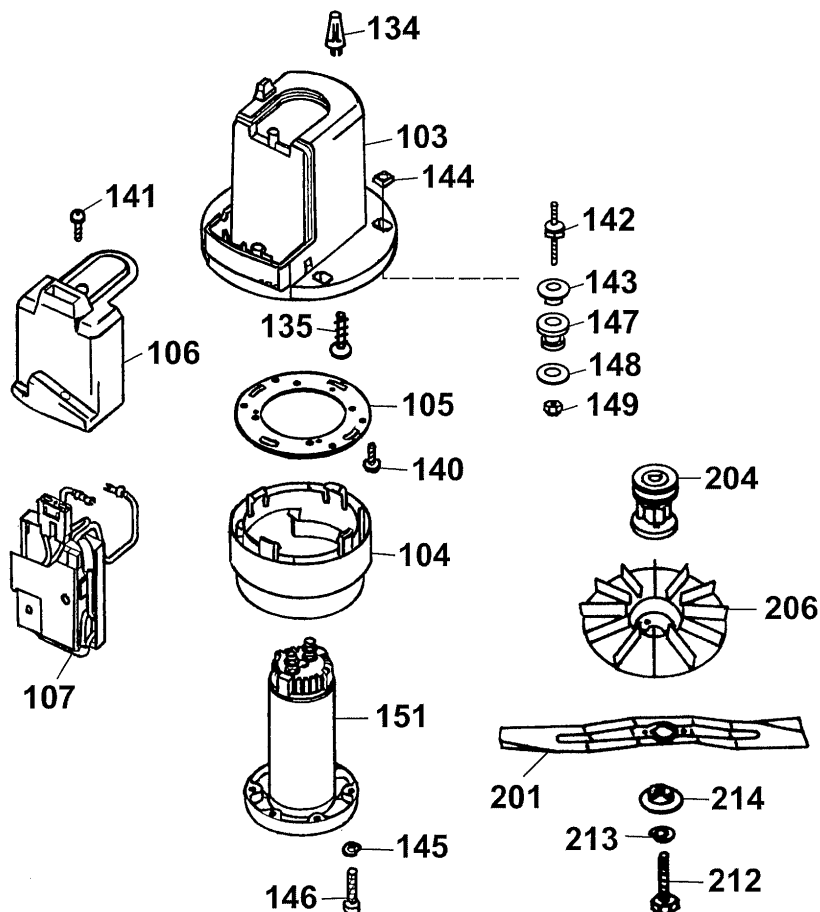
**Concept 43 AC 4332 000 Griff, Schalter**  
**Concept 43 AC 4332 000 handlebar, switch**

| Bild-Nr. /<br>Ref. No. | Best.-Nr. /<br>Part No. | Bezeichnung                  | description              |
|------------------------|-------------------------|------------------------------|--------------------------|
| 7                      | 0012 625                | Torx-Schraube K40x16 (3 St.) | screw K40x16 (3 pieces)  |
| 351                    | 4317 120                | Griffunterteil               | lower handlebar          |
| 363                    | 0017 275                | Hohlscheibe (2 Stück)        | washer, recessed (2 p.)  |
| 364                    | 4936 022                | Handrad (2 Stück)            | handwheel (2 pieces)     |
| 365                    | 4950 307                | Kabelschelle (2 Stück)       | cable clip (2 pieces)    |
| 369                    | 4950 308                | Knickschutz                  | antikink                 |
| 401                    | 4945 036                | Griffoberteil                | upper handlebar          |
| 402                    | 4947 051                | Schalter                     | switch                   |
| 404                    | 4317 014                | Schaltbügel                  | shift lever              |
| 405                    | 4935 105                | Schelle                      | clamp                    |
| 412                    | 4940 105                | Lager                        | bearing                  |
| 413                    | 0010 338                | 6-kt. Schr. M8x55 DIN 931    | screw M8x55 DIN 931      |
| 415                    | 0015 820                | Blehschraube 4,2x13          | sheet metal screw 4,2x13 |
| 418                    | 4901 101                | Verbindungsschraube M8x55    | screw M8x55              |
| 466                    | 6340 125                | Verschlusskappe (2 Stck.)    | sleeve (2 pieces)        |

H18

Ⓓ Concept 43 AC 4332 000 Motor, Messer

ⒼⒷ Concept 43 AC 4332 000 motor, blade



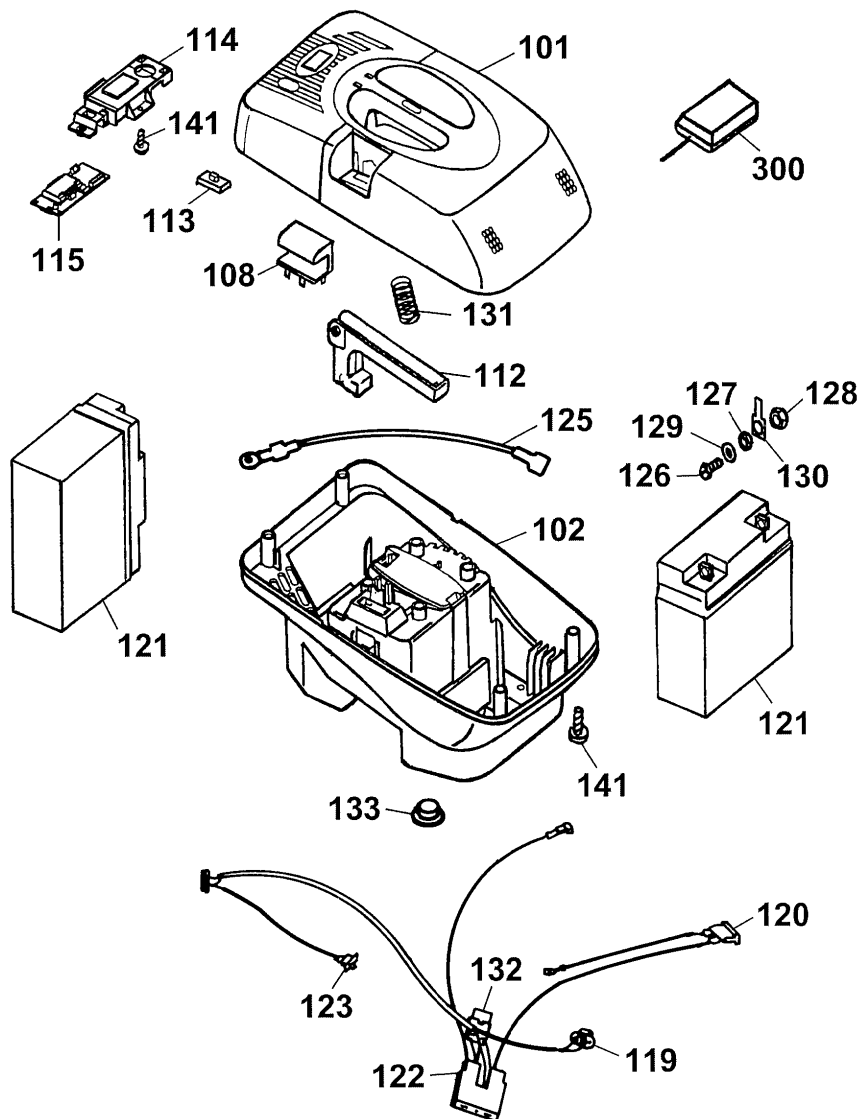
H19

**Concept 43 AC 4332 000 Motor, Messer**  
**Concept 43 AC 4332 000 motor, blade**

| Bild-Nr. /<br>Ref. No. | Best.-Nr. /<br>Part No. | Bezeichnung                  | description              |
|------------------------|-------------------------|------------------------------|--------------------------|
| 103                    | 4332 302                | Motoraufnahme                | motor holder             |
| 104                    | 4332 111                | Luftföhrung                  | air conduction           |
| 105                    | 4947 303                | Motorring                    | ring                     |
| 106                    | 4947 307                | Elektronikabdeckung          | cover                    |
| 107                    | 4332 066                | Motorelektronik 43er         | motor electronic         |
| 134                    | 4332 313                | Zentrierkegel                | centering cone           |
| 135                    | 0012 885                | PT-Schraube K50x20           | screw K50x20             |
| 140                    | 0012 890                | PT-Schraube K60x18 (4 St.)   | screw K60x18 (4 pieces)  |
| 141                    | 0012 630                | Torx-Schraube K50x16 (2 St.) | screw K50x16 (2 pieces)  |
| 142                    | 4332 120                | Stehbolzen (3 Stöck)         | stud bolt (3 pieces)     |
| 143                    | 6450 138                | Buchse (3 Stöck)             | bush (3 pieces)          |
| 144                    | 0016 409                | 4 kt. Mutter M8 (3 Stöck)    | square nut M8 (3 pieces) |
| 145                    | 0017 908                | Federring (3 Stöck)          | spring washer (3 pieces) |
| 146                    | 0012 610                | Schraube (3 Stöck)           | screw (3 pieces)         |
| 147                    | 6450 319                | Gummipuffer (3 Stöck)        | rubber buffer (3 pieces) |
| 148                    | 0017 291                | Scheibe A8 (3 Stöck)         | washer A8 (3 pieces)     |
| 149                    | 0016 312                | 6 kt. Mutter M8 (3 Stöck)    | nut M8 (3 pieces)        |
| 151                    | 1055 060                | Motor                        | motor                    |
| 201                    | 4332 400                | Messer                       | blade                    |
| 204                    | 4942 402                | Antriebsscheibe              | driving pulley           |
| 206                    | 4942 300                | Löfter                       | fan                      |
| 212                    | 0010 259                | 6 kt. Schraube 5/16"         | screw 5/16"              |
| 213                    | 0017 909                | Federring A8                 | spring washer A8         |
| 214                    | 4333 401                | Kupplungsscheibe             | coupling disk            |

H20

- Ⓓ Concept 43 AC 4332 000 Wechselakku
- ⒼⒷ Concept 43 AC 4332 000 exchange battery



H21

**Concept 43 AC 4332 000 Wechselakku**  
**Concept 43 AC 4332 000 exchange battery**

| Bild-Nr. /<br>Ref. No. | Best.-Nr. /<br>Part No. | Bezeichnung  | description   |
|------------------------|-------------------------|--|---|
| 101                    | 4948 304                | Batteriehaube, rot                                     | battery cap, red                                      |
| 102                    | 4332 305                | BatteriegehÄuse  | battery case  |
| 108                    | 4947 020                | Stecker  | connector   |
| 112                    | 4947 306                | Arretiergriff  | handle  |
| 113                    | 4947 316                | Schalterkappe  | cover   |
| 114                    | 4947 314                | Anzeigefenster   | indicator   |
| 115                    | 4332 067                | Elektr. Füllstandsanzeige                              | electr. fill indicator                                |
| 119                    | 4947 131                | Ladebuchse   | bush  |
| 120                    | 4947 105                | Sicherung 40 A   | fuse 40 A   |
| 121                    | 4948 066                | Batterieeinheit 12 V 43er                              | battery unit 12 V                                     |
| 122                    | 4332 062                | Kabelbaum kpl. (incl. Bild-Nr.<br>119,120,123 und 132) | cable form compl. (incl. ref.<br>no. 119,120,123,132) |
| 123                    | 4947 056                | Schiebeschalter  | switch  |
| 125                    | 4947 126                | Kabel, grün  | cable   |
| 126                    | 0012 863                | Schraube (4 Stück)                                     | screw (4 pieces)                                      |
| 127                    | 0017 880                | FÄcherscheibe (4 Stück)                                | washer (4 pieces)                                     |
| 128                    | 0016 310                | Mutter (4 Stück)                                       | nut (4 pieces)  |
| 129                    | 0017 120                | Scheibe A 5,3 (4 Stück)                                | washer (4 pieces)                                     |
| 130                    | 4948 110                | Flachstecker (4 Stück)                                 | connector (4 pieces)                                  |
| 131                    | 4740 207                | Druckfeder   | compression spring                                    |
| 132                    | 4332 105                | Sicherung 2 A  | fuse 2 A  |
| 133                    | 4332 306                | Verschluss-Stopfen                                     | plug  |
| 141                    | 0012 630                | Torx-Schr. K50x16 (2 Stück)                            | screw K50x16 (2 pieces)                               |
| 300                    | 4948 060                | LadegerÄt 24V, 0,75A                                   | battery charger 24V, 0,75A                            |
| ***                    | 4332 071                | Wechselakku kpl.                                       | exchange battery complete                             |

H22