

2.40 E, Serie A / 2.40 E, Series A

Ausstattung Elektromäher / Specification - Electric Mowers

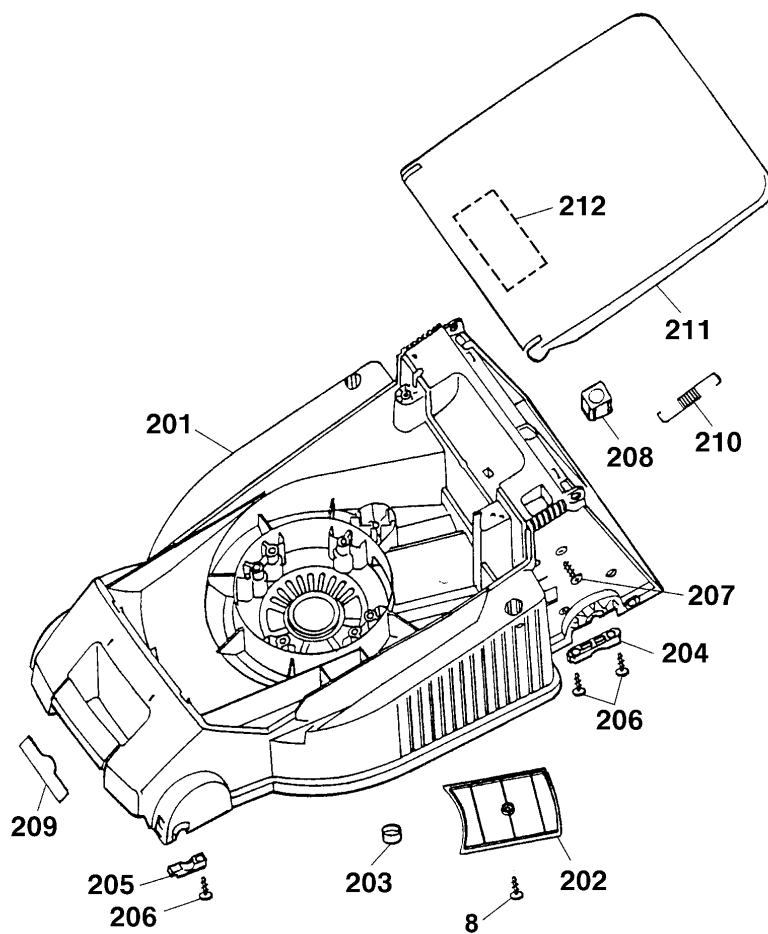
| | |
|--|--|
| Typ / Kurzbez. / short code | 2.40 E |
| Ausführung für / version | International |
| Geräte - Nr. / part No. | 4961680 |
| Schnittbreite / cutting width | 40 cm |
| Chassismaterial / chassis material | Kunststoff / high quality polymer |
| Gewicht / weight | 22 kg |
| Schalleistung / sound level | 94 dB (A) |
| Ø Rad vorne / front wheel diameter | 17 cm (Kugellager / ball bearing) |
| Ø Rad hinten / rear wheel diameter | 20 cm (Kugellager / ball bearing) |
| Schnitthöhe / cutting height range | 2,5 - 7,2 cm zentral verstellbar / central adjustable) |
| Antrieb / power drive | nein / no |
| Motor - Hersteller / motor producer | Stahlschmidt |
| Motor - Nr. WOLF / motor part No.WOLF | 1141080 |
| Leistung / power | 1.2 kW |
| Schalter / switch | Einhandschalter / one hand switch |
| Kondensator / condenser | 16 µF |
| Bremse / blade brake | elektro-mech. / electromechanical |
| Griffgestänge / handlebar | Klappgriff / folding handlebar |
| Fangkorb / grass box | 56 L, Art.-Nr. 4961065 / 56 l, part no. 4961065 |
| <u>Drehmomente Chassis / torque settings, chassis fasteners:</u> | |
| Stützschale vorne, hinten/support shell front, rear | 2 Nm |
| Lüfter an Motorwelle / fan to motor shaft | 22-26 Nm |
| Messer an Lüfter / blade to fan | 22-26 Nm |
| Motor in Chassis / motor to chassis | 4-5 Nm |
| Griff Motorabdeckung / handle motor cover | 2-3 Nm |
| Führung an Chassis / guide to chassis | 4-5 Nm |
| Fangkorbhälften / grass box half | 2-3 Nm |
| Griffhalter links, rechts / handle fixing left, right | 4-5 Nm |

Achtung: Instandsetzungen an Elektrogeräten dürfen nur von entsprechenden Fachkräften durchgeführt werden !
Die Isolationswiderstandsmessung / Schutzleiterprüfung gemäß DIN/VDE 0701 Teil 2 ist **nach jeder Reparatur** vorzunehmen.

Attention: Repairs on electrical appliances must only be carried out by qualified specialists !
The verification of the insulating resistance / protective conductor examination according to DIN/VDE 0701 part 2 **must be carried out after each repair !**

D 2.40 E 4961 680, Serie A, Chassis

GB 2.40 E 4961 680, Series A, Chassis

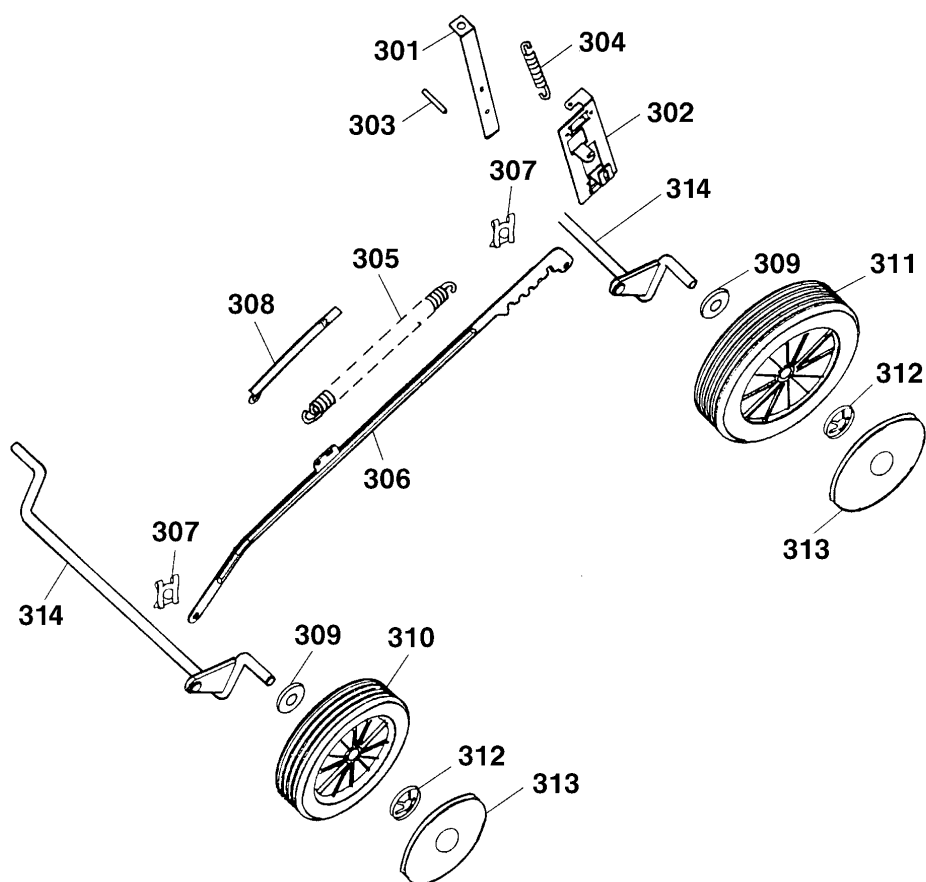


2.40 E Chassis

| Bild-Nr. / Ref. No. | Best.-Nr. / Part No. | Bezeichnung | Description |
|------------------------|-------------------------|-----------------------------|-------------------------------|
| 201 | 4961 300 | Chassis | chassis |
| 202 | 4961 324 | Keilriemenabdeckung | v-belt cover |
| 203 | 4961 305 | Verschlussstopfen | plug |
| 204 | 4961 313 | Stützschale, hinten (2 St.) | rear support shell (2 piec.) |
| 205 | 4961 312 | Stützschale, vorne (2 St.) | front support shell (2 piec.) |
| 206 | 0012 631 | Schraube (7 St.) | screw (7 pieces) |
| 207 | 0010 931 | Schraube (4 St.) | screw (4 pieces) |
| 208 | 4961 304 | Knopf | button |
| 209 | 0051 115 | WOLF-Garten Marke | "WOLF-Garten" brand |
| 210 | 4961 108 | Zugfeder | tension spring |
| 211 | 4620 302 | Schutzklappe (gelb) | rear flap (yellow) |
| 212 | 0051 244 | Sicherheitsetikett | safety label |

Ⓓ 2.40 E 4961 680, Serie A, Achse, Räder,
Höhenverstellung

ⒼⒷ 2.40 E 4961 680, Series A, Axle, Wheels,
Height-adjustment

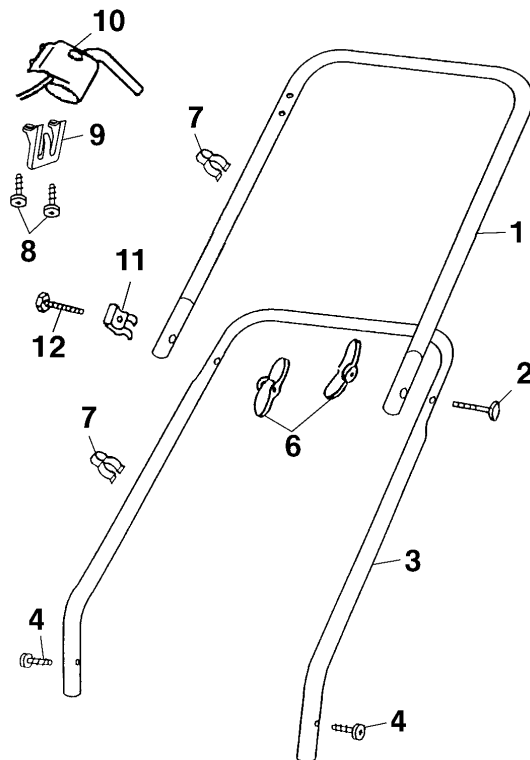


2.40 E Achse, Räder, Höhenverstellung
2.40 E Axle, Wheels, Height-adjustment

| Bild-Nr. / Ref. No. | Best.-Nr. / Part No. | Bezeichnung | Description |
|------------------------|-------------------------|---------------------------|-----------------------------|
| 301 | 4961 512 | Rasthebel | lock lever |
| 302 | 4001 010 | Führung | guiding |
| 303 | 0018 878 | Spannstift | dowel pin |
| 304 | 4961 514 | Zugfeder | tension spring |
| 305 | 4961 107 | Zugfeder | tension spring |
| 306 | 4001 504 | Verbindungsstange | connecting rod |
| 307 | 0020 981 | SL-Sicherung (2 St.) | retaining clip (2 pieces) |
| 308 | 4961 307 | Höhenanzeige | height position indicator |
| 309 | 0017 112 | Scheibe (8 St.) | washer (8 pieces) |
| 310 | 4960 049 | Rad 170 mm Ø (2 St.) | wheel 170 mm dia. (2 piec.) |
| 311 | 4960 059 | Rad 200 mm Ø (2 St.) | wheel 200 mm dia. (2 piec.) |
| 312 | 0020 700 | Schnellbefestiger (4 St.) | quick fixing clip (4 piec.) |
| 313 | 4936 535 | Deckel (4 St.) | hub cap (4 pieces) |
| 314 | 4961 011 | Achse (2 St.) | axle (2 pieces) |

(D) 2.40 E 4961 680, Serie A, Griff, Schalter

(GB) 2.40 E 4961 680, Series A, Handlebar, Switch

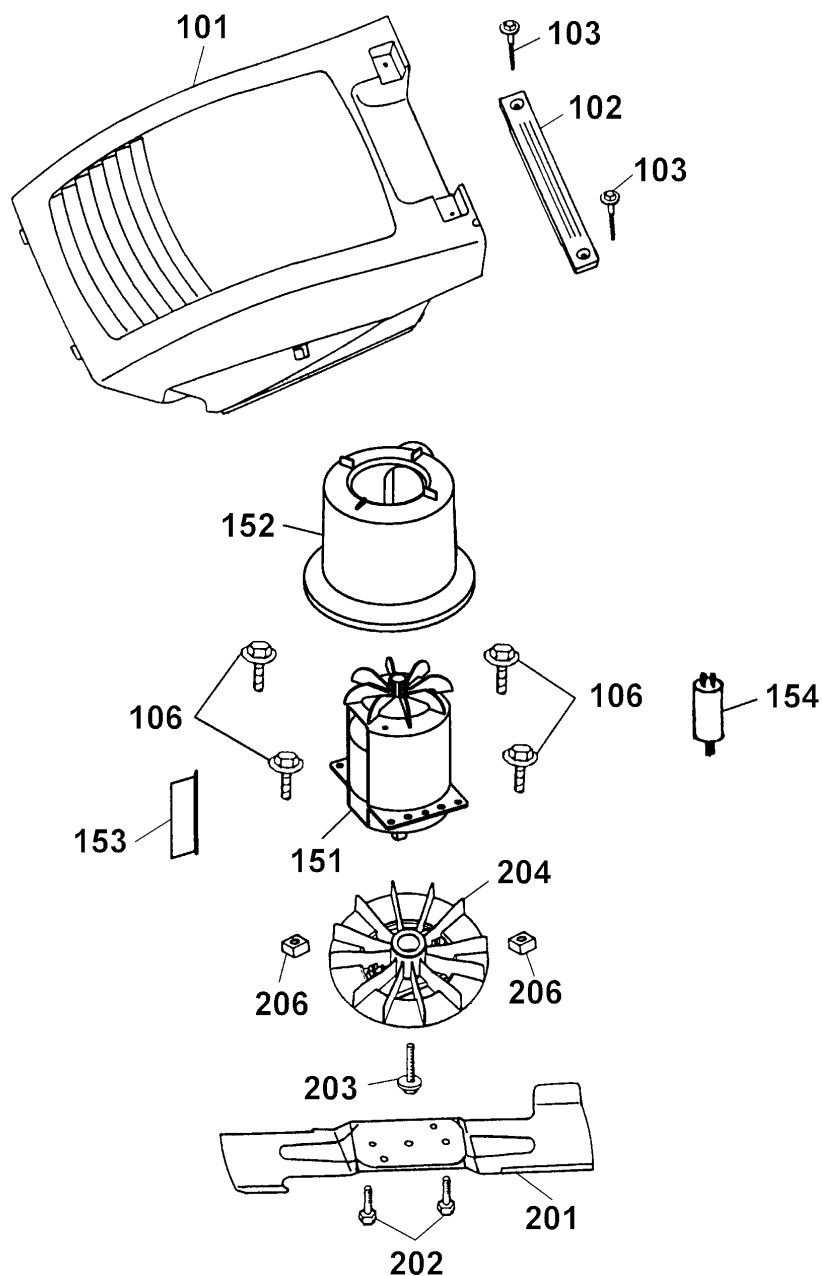


2.40 E Griff, Schalter
2.40 E Handlebar, Switch

| Bild-Nr. / Ref. No. | Best.-Nr. / Part No. | Bezeichnung | Description |
|--------------------------------|---------------------------------|----------------------------|--------------------------|
| 1 | 4961 023 | Griffoberteil | upper handlebar |
| 2 | 4901 101 | Verbindungsschraube | binding screw |
| 3 | 3630 120 | Griffunterteil | lower handlebar |
| 4 | 0015 660 | Blehschraube (2 St.) | sheet metal screw (2 p.) |
| 6 | 0016 717 | Flügelmutter (2 St.) | wing nut (2 pieces) |
| 7 | 4950 307 | Kabelschelle (2 St.) | cable clip (2 pieces) |
| 8 | 0012 883 | PT-Schraube K40x22 (2 St.) | screw K40x22 (2 pieces) |
| 9 | 3620 325 | Zugentlastung | strain relief |
| 10 | 4906 061 | Schalter | switch |
| 11 | 4950 308 | Knickschutz | antikink |
| 12 | 0010 338 | 6kt.-Schraube M8x55 | hex. screw M8x55 |
| *** | 0054 329 | Gebrauchsanweisung | operator manual |

D 2.40 E 4961 680, Serie A, Abdeckhaube, Motor, Messer

GB 2.40 E 4961 680, Series A, Motor covering, Motor, Blade

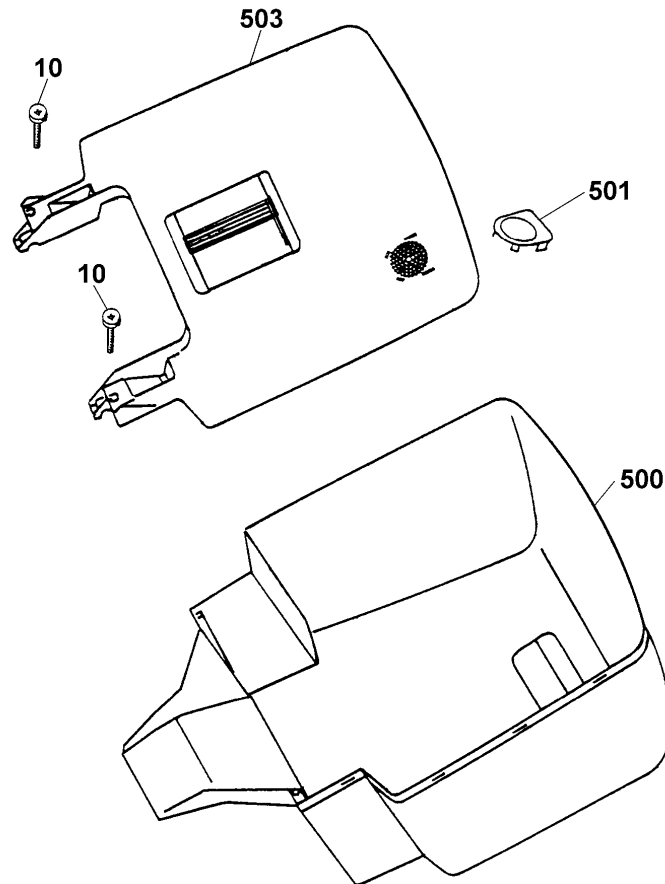


2.40 E Abdeckhaube, Motor, Messer
2.40 E Motor covering, Motor, Blade

| Bild-Nr. / Ref. No. | Best.-Nr. / Part No. | Bezeichnung | Description |
|--------------------------------|---------------------------------|----------------------------|-----------------------------|
| 101 | 4961 301 | Abdeckhaube | motor covering |
| 102 | 4961 303 | Griff | handle |
| 103 | 0012 639 | Schraube K60x30 (2 St.) | screw K60x30 (2 pieces) |
| 106 | 0012 618 | SF-Schraube (4 Stück) | screw (4 pieces) |
| 151 | 1141 080 | Motor kpl. mit Kondensator | motor compl. with condenser |
| 152 | 4961 326 | Luftführungshaube | air conduction |
| 153 | 1141 300 | Luftleitfolie | foil |
| 154 | 1133 030 | Kondensator, 20 µF | condenser, 20 µF |
| 201 | 4961 095 | Messer VI 40 | blade VI 40 |
| 202 | 0010 385 | 6kt.-Schraube (2 St.) | hex. screw (2 pieces) |
| 203 | 0010 403 | 6kt.-Schraube | hex. screw |
| 204 | 4961 036 | Lüfter | fan |
| 206 | 0016 409 | 4kt.-Mutter (2 St.) | square nut (2 pieces) |

(D) Fangkorb komplett 4961 065

(GB) Grass box compl. 4961 065



| Bild-Nr. / Ref. No. | Best.-Nr. / Part No. | Bezeichnung | Description |
|------------------------|-------------------------|--------------------|----------------------|
| 10 | 0012 631 | Schraube (2 Stück) | screw (2 pieces) |
| 500 | 4961 311 | Fangkorbunterteil | grass box under part |
| 501 | 4906 315 | Verschlussdeckel | cap |
| 503 | 4961 061 | Fangkorboberteil | grass box upper part |