

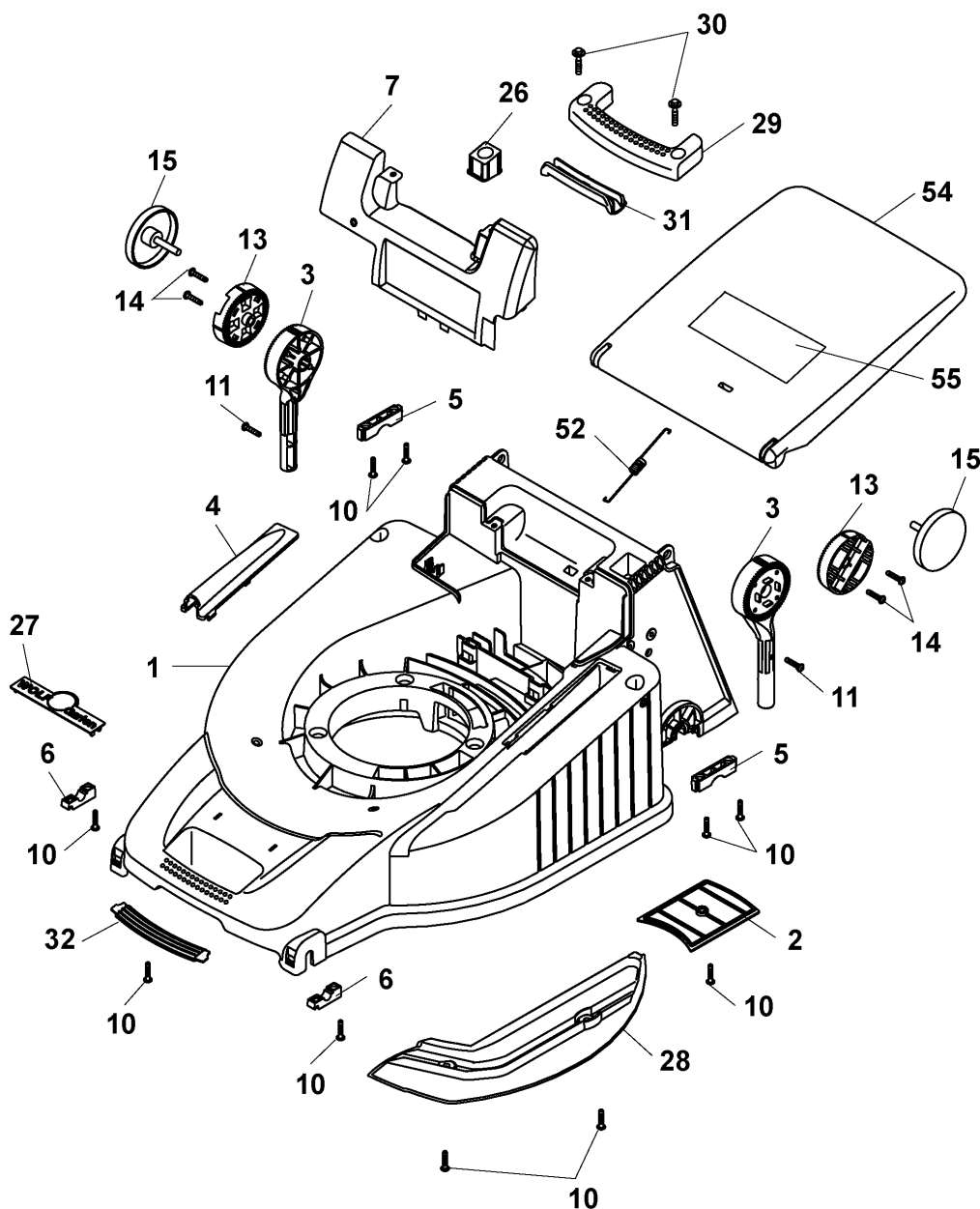
## Premio 40 B, Serie B, C / Premio 40 B, Series B, C

### Ausstattung Benzinmäher / Equipment Petrol-mowers

|   |  |   |
|---|--|---|
| Typ / Kurzbez. / order code   | Premio 40 B  |   |
| Ausführung für / version for  | International  |   |
| Geräte - Nr. / article number   | 4011000  |   |
| Schnittbreite / cutting width   | 40 cm  |   |
| Chassismaterial / chassis   | Kunststoff / high-quality polymer  |   |
| Gewicht / weight  | 26 kg  |   |
| Lautstärke / noise level  | 96 dB (A)  |   |
| Ø Rad vorne / front wheel diameter  | 17 cm  |   |
| Ø Rad hinten / rear wheel diameter  | 20 cm  |   |
| Ausführung Räder / version wheels   | Soft, Kugellager / soft, ball bearing  |   |
| Höhenverstellung / height adjustment  | zentral 5-fach / central, five-fold  |   |
| Schnitthöhe (cm) / cutting height   | 2,5 cm - 7,2 cm  |   |
| Antrieb / power drive   | nein / no  |   |
| Motor - Hersteller / motor producer   | Briggs & Stratton  | Briggs & Stratton                               |
| Motor-Modell / motor-type   | Quantum 55 XTE   | Quantum 50 XTE                                  |
| Spezifikation / specification   | 1288022321B1   | 12F802 Type 1194                                |
| Motor - Nr. WOLF / motor-number   | 2076050<br><b>nur Serie B - C /<br/>Series B - C only</b>                                    | 2069070<br><b>nur Serie D<br/>Series D only</b> |
| Nennleistung / nominal capacity   | 3,4 kW (4,6 PS)  | 3,1 kW (4,2 PS)                                 |
| Zündkerze / spark plug  | Champion RJ 19, Art.Nr. / part no. 2058305   |   |
| Griffgestänge / handle bar  | Holmstart / bar start  |   |
| Fangkorb / collector box  | 56 L, Füllstandsanzeige / grass box fill indicator<br>Artikel-Nr. 4950065 / part no. 4950065 |   |
| <u>Drehmomente Chassis / torque settings,<br/>chassis fasteners:</u>                  |  |   |
| Achsbefest. (Lagerschale vorne/hinten) /<br>axle fastening (bearing shell front/rear) | 2-3 Nm   |   |
| Radbefestigung / wheel fastening  | 10 Nm  |   |
| Führung Höhenverstellung /<br>guide height-adjustment                                 | 2-3 Nm   |   |
| Windkanaleinlage - Chassis /<br>wind tunnel insert - chassis                          | 2-3 Nm   |   |
| Stehbolzen an Motor / stud bolt to motor  | 16-20 Nm   |   |
| Stehbolzen an Chassis /<br>stud bolt to chassis                                       | 12-14 Nm   |   |
| Chassisabdeckung + Griff /<br>chassis covering + handle                               | 2-3 Nm   |   |
| Messerbalken an Motorwelle /<br>cutter bar to motor shaft                             | 38-42 Nm   |   |
| Keilriemenabdeckung / v-belt cover  | 2-3 Nm   |   |

**(D) Premio 40 B 4011 000, Serie B - D, Chassis**

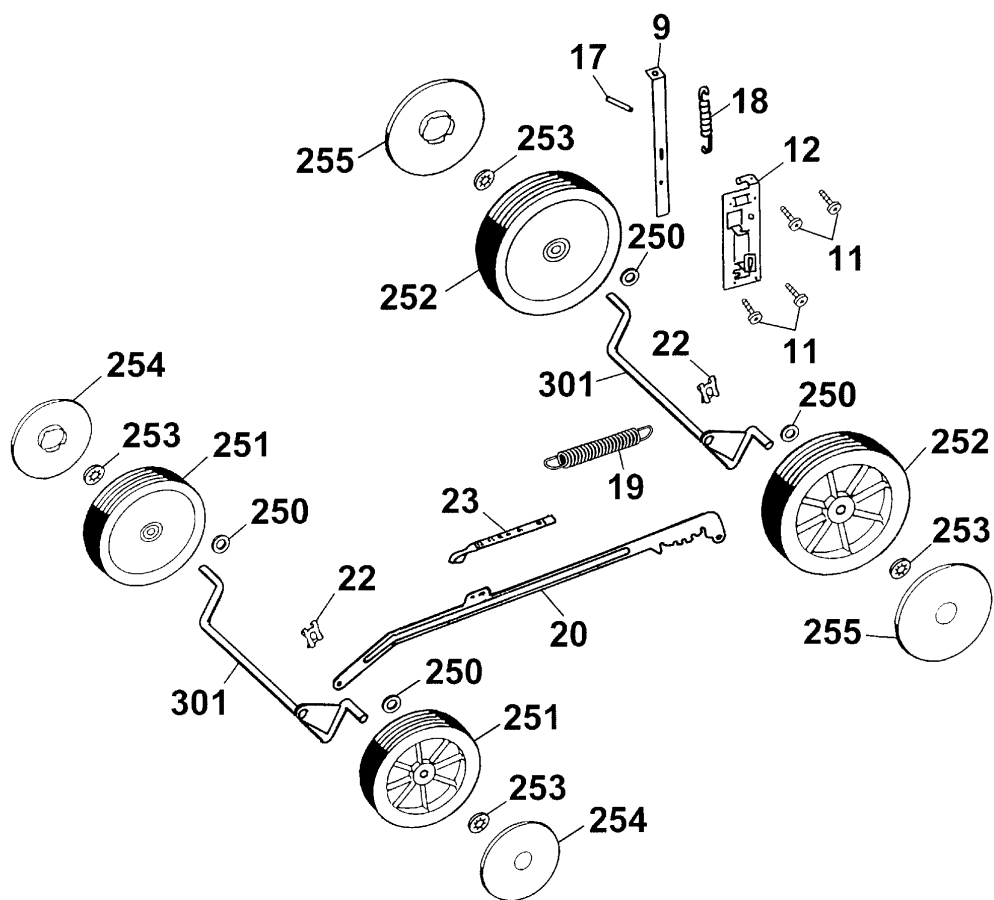
**(GB) Premio 40 B 4011 000, Series B - D, Chassis**



## Premio 40 B Chassis

| Bild-Nr. /<br>Ref. No. | Best.-Nr. /<br>Part No. | Bezeichnung                   | Description                   |
|------------------------|-------------------------|-------------------------------|-------------------------------|
| 1                      | 4001 300                | Chassis                       | chassis                       |
| 2                      | 4961 324                | Keilriemenabdeckung           | v-belt cover                  |
| 3                      | 4950 030                | Griffhalter (2 St¼ck)         | handle-fixing (2 pieces)      |
| 4                      | 4601 315                | Hutze                         | cover                         |
| 5                      | 4961 313                | St¼tzschale, hinten (2 St¼ck) | rear support shell (2 piec.)  |
| 6                      | 4961 312                | St¼tzschale, vorne (2 St¼ck)  | front support shell (2 piec.) |
| 7                      | 4001 310                | Chassisabdeckung              | chassis cover                 |
| 10                     | 0012 631                | Schraube (10 St¼ck)           | screw (10 pieces)             |
| 11                     | 0010 931                | Schraube (2 St¼ck)            | screw (2 pieces)              |
| 13                     | 4950 126                | Verstellring (2 St¼ck)        | variable ring (2 pieces)      |
| 14                     | 0010 933                | Schraube (4 St¼ck)            | screw (4 pieces)              |
| 15                     | 4950 010                | Handrad (2 St¼ck)             | handwheel (2 pieces)          |
| 26                     | 4961 304                | Knopf                         | button                        |
| 27                     | 0051 115                | WOLF-Garten Marke             | WOLF-Garten brand             |
| 28                     | 4001 311                | Windkanalabdeckung            | wind tunnel cover             |
| 29                     | 4601 303                | Tragegriff, hinten            | rear carrying handle          |
| 30                     | 0012 639                | Schraube (2 St¼ck)            | screw (2 pieces)              |
| 31                     | 4601 308                | Griffschale, hinten           | rear handle spill             |
| 32                     | 4601 309                | Griffschale, vorne            | front handle spill            |
| 52                     | 4961 108                | Zugfeder                      | tension spring                |
| 54                     | 4628 302                | Schutzklappe (rot)            | rear flap (red)               |
| 55                     | 0051 246                | Sicherheitsetik./Pictogramm   | safety label                  |

- Ⓓ Premio 40 B 4011 000, Serie B - D, Achse, RÄder, Höhenverstellung
- ⒼⒷ Premio 40 B 4011 000, Series B - D, Axle, Wheels, Height-adjustment

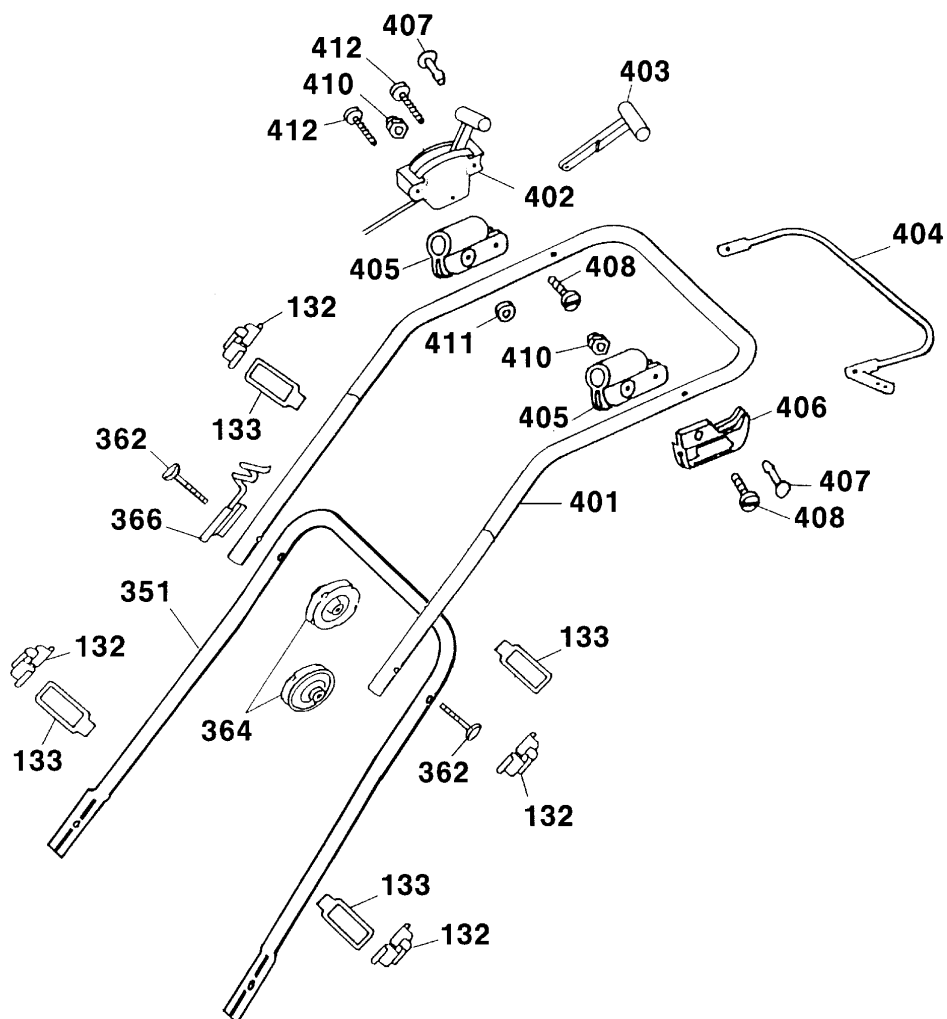


**Premio 40 B Achse, RÄder, Hhenverstellung**  
**Premio 40 B Axle, Wheels, Height-adjustment**

| Bild-Nr. /<br>Ref. No. | Best.-Nr. /<br>Part No. | Bezeichnung                               | Description                                 |
|------------------------|-------------------------|---|---|
| 9                      | 4961 512                | Rasthebel                                 | lock lever                                  |
| 11                     | 0010 931                | Schraube (4 St¼ck)                        | screw (4 pieces)                            |
| 12                     | 4001 110                | F¼hrung                                   | guiding                                     |
| 17                     | 0018 878                | Spannstift                                | dowel pin                                   |
| 18                     | 4961 514                | Zugfeder                                  | tension spring                              |
| 19                     | 4961 107                | Zugfeder Verbindungs-<br>stange           | tension spring connecting<br>rod            |
| 20                     | 4001 504                | Verbindungsstange                         | connecting rod                              |
| 22                     | 0020 981                | SL-Sicherung                              | retaining clip                              |
| 23                     | 4001 306                | Hhenanzeiger                             | height-position indicator                   |
| 250                    | 0017 112                | Scheibe (4 St¼ck)                         | washer (4 pieces)                           |
| 251                    | 6440 050                | Rad 170 mm Ø (2 St.)                      | wheel 170 mm dia. (2 piec.)                 |
| 252                    | 6440 051                | Rad 200 mm Ø (2 St.)                      | wheel 200 mm dia. (2 piec.)                 |
| ***                    | 4960 516                | Kugellager, Kunststoff<br>(2 St¼ck / Rad) | ball bearing, plastic<br>(2 pieces / wheel) |
| 253                    | 0020 700                | Schnellbefestiger (4 St¼ck)               | quick-fixing device (4 piec.)               |
| 254                    | 6450 520                | Radkappe 170 mm Ø (2 St.)                 | hub cap 170 mm dia. (2 p.)                  |
| 255                    | 6450 530                | Radkappe 200 mm Ø (2 St.)                 | hub cap 200 mm dia. (2 p.)                  |
| 301                    | 4961 011                | Achse (2 St¼ck)                           | axle (2 pieces)                             |

**D** Premio 40 B 4011 000, Serie B - D, Griff kpl.

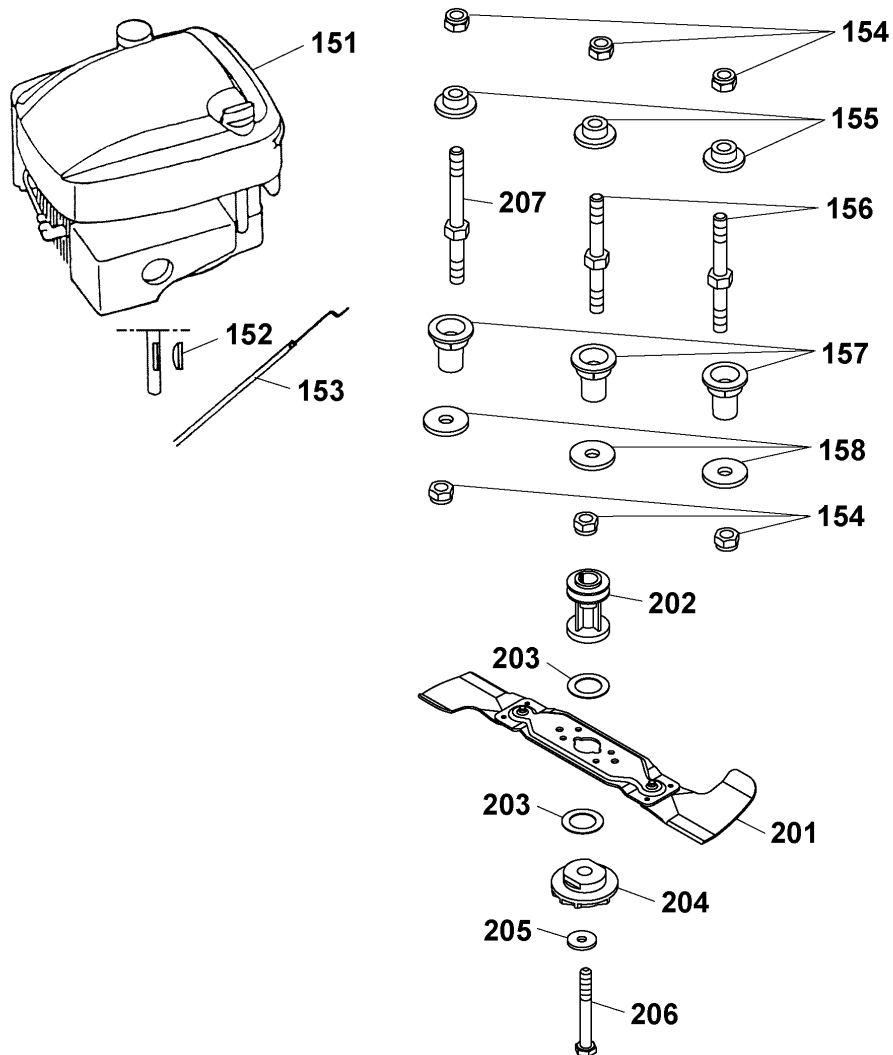
**GB** Premio 40 B 4011 000, Series B - D, Handlebar compl.



**Premio 40 B Griff kpl.**  
**Premio 40 B Handlebar compl.**

| Bild-Nr. /<br>Ref. No. | Best.-Nr. /<br>Part No. | Bezeichnung                          | Description                   |
|------------------------|-------------------------|--------------------------------------|-------------------------------|
| 132                    | 6340 312                | Klammer (4 St¼ck)                    | clamp (4 pieces)              |
| 133                    | 6340 314                | Schlaufe (4 St¼ck)                   | strap (4 pieces)              |
| 351                    | 4011 122                | Griffunterteil                       | lower handlebar               |
| 362                    | 4901 101                | Verbindungsschr. (2 St.)             | binding screw (2 pieces)      |
| 364                    | 4936 022                | Handrad (2 St¼ck)                    | handwheel (2 pieces)          |
| 366                    | 6340 014                | Seilf¼hrung                          | routing                       |
| 401                    | 4820 023                | Griffoberteil                        | upper handlebar               |
| 402                    | 4011 055                | SchaltgehÄ¶use mit<br>Bowdenzug, Gas | case with bowden wire,<br>gas |
| ***                    | 6450 325                | SchaltgehÄ¶use, rechts               | case, right                   |
| ***                    | 6450 326                | SchaltgehÄ¶use, links                | case, left                    |
| 403                    | 4011 040                | Schalthebel                          | shift lever                   |
| 404                    | 4001 013                | Bremshebel                           | brake lever                   |
| 405                    | 4720 105                | Schelle (2 St¼ck)                    | clamp (2 pieces)              |
| 406                    | 4760 106                | St¼tze                               | support                       |
| 407                    | 4720 109                | Bolzen (2 St¼ck)                     | bolt (2 pieces)               |
| 408                    | 0012 211                | Zylinderschraube (2 Stck.)           | screw (2 pieces)              |
| 410                    | 0016 641                | Hutmutter (2 St¼ck)                  | nut (2 pieces)                |
| 411                    | 4240 205                | Distanzscheibe                       | washer                        |
| 412                    | 0012 886                | PT-Schraube (2 St¼ck)                | screw (2 pieces)              |
| ***                    | 0054 319                | Gebrauchsanweisung                   | operator manual               |

- Ⓓ Premio 40 B 4011 000, Serie B - D, Motor, Messer
- ⒼⒷ Premio 40 B 4011 000, Series B - D, Motor, Blade



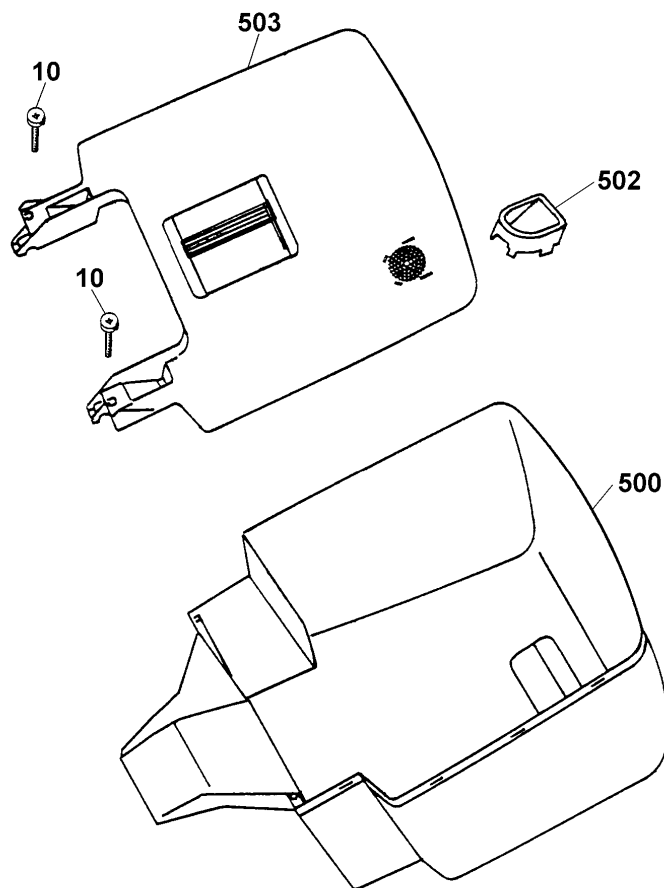


**Premio 40 B Motor, Messer**  
**Premio 40 B Motor, Blade**

| Bild-Nr. /<br>Ref. No. | Best.-Nr. /<br>Part No. | Bezeichnung                             | Description                                   |
|------------------------|-------------------------|---|---|
| 151                    | 2076 050                | Motor "Quantum 55 XTE"<br>(Serie B - C) | Motor "Quantum 55 XTE"<br>(Series B - C only) |
| 151                    | 2069 070                | Motor "Quantum 50 XTE"<br>(Serie D)     | Motor "Quantum 50 XTE"<br>(Series D only)     |
| 152                    | 0029 130                | Scheibenfeder                           | woodruff key                                  |
| 153                    | 4005 058                | Bowdenzug, Bremse                       | bowden wire, brake                            |
| 154                    | 0016 312                | 6kt.-Mutter (6 St¼ck)                   | hex. nut (6 pieces)                           |
| 155                    | 4001 172                | Motorbuchse (3 St¼ck)                   | motor bush (3 pieces)                         |
| 156                    | 4001 170                | Stehbolzen (2 St¼ck)                    | stud bolt (2 pieces)                          |
| 157                    | 4601 312                | Distanzh¼lse (3 St¼ck)                  | spacer (3 pieces)                             |
| 158                    | 0017 111                | Scheibe (3 St¼ck)                       | washer (3 pieces)                             |
| 201                    | 4001 094                | Messerbalken kpl. VI 40 W               | cutter bar compl. VI 40 W                     |
| ***                    | 4350 040                | Ersatzklingen VI-W (1 Paar)             | repl. blades VI-W (1 pair)                    |
| 202                    | 4601 402                | Kupplungsbuchse                         | coupling                                      |
| 203                    | 4005 403                | Kupplungsbelag (2 St¼ck)                | clutch facing (2 pieces)                      |
| 204                    | 4840 402                | Kupplungsscheibe                        | coupling disc                                 |
| 205                    | 0017 105                | Spannscheibe                            | strain washer                                 |
| 206                    | 0010 264                | 6kt.-Schraube                           | hex. screw                                    |
| 207                    | 4001 171                | Stehbolzen, gro                        | stud bolt, big                                |

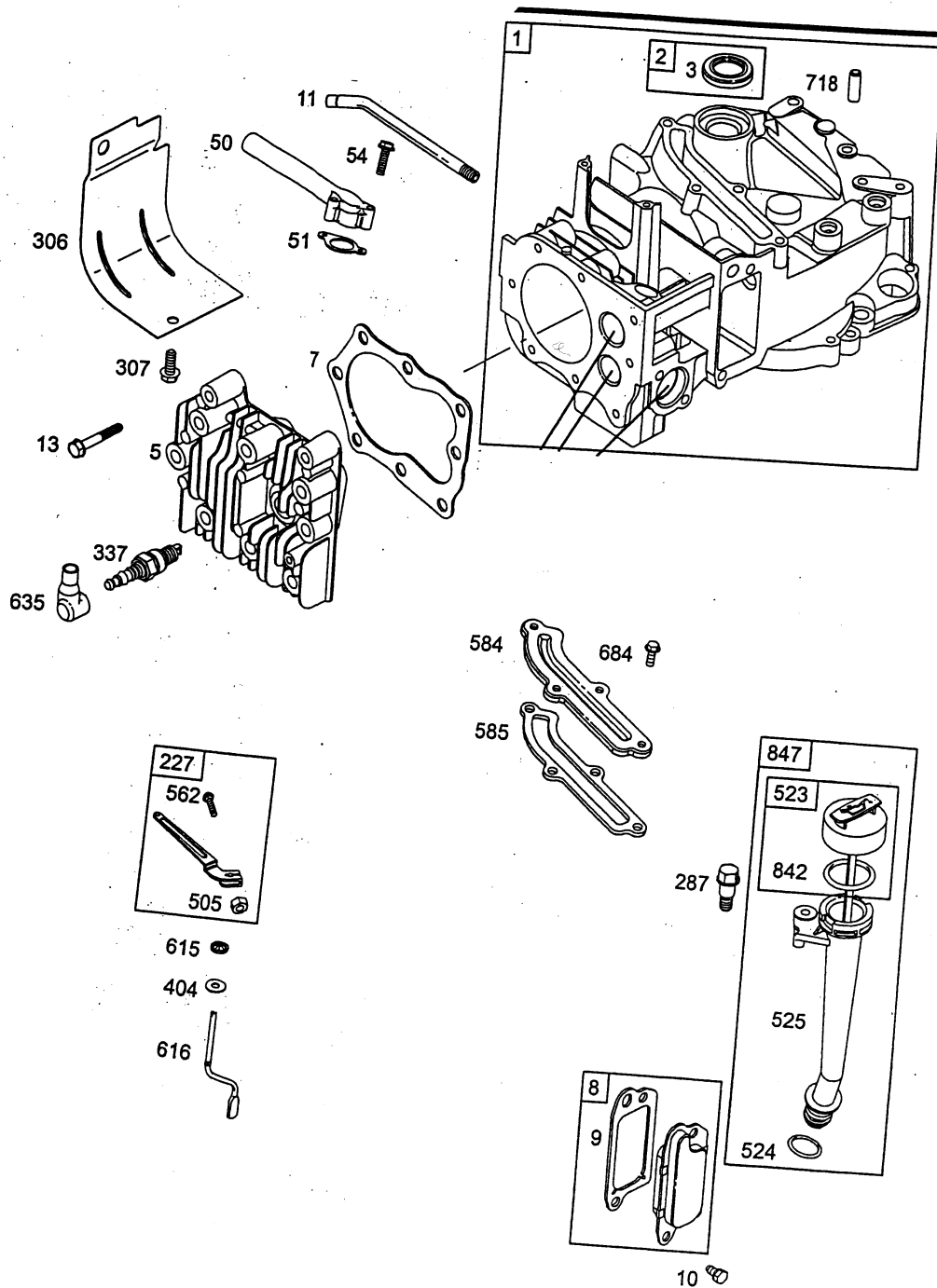
Ⓓ Fangkorb komplett 4950 065

ⒼⒷ Grass box compl. 4950 065



| Bild-Nr. /<br>Ref. No. | Best.-Nr. /<br>Part No. | Bezeichnung        | Description              |
|------------------------|-------------------------|--------------------|--------------------------|
| 10                     | 0012 631                | Schraube (2 St¼ck) | screw (2 pieces)         |
| 500                    | 4961 311                | Fangkorbunterteil  | grass box under part     |
| 501                    | 4936 061                | F¼llstandsanzeige  | grass box fill indicator |
| 503                    | 4961 061                | Fangkorboberteil   | grass box upper part     |

**Quantum 55 XTE KurbelgehÄuse**  
**Quantum 55 XTE cylinder assembly**



## Quantum 55 XTE KurbelgehÄuse

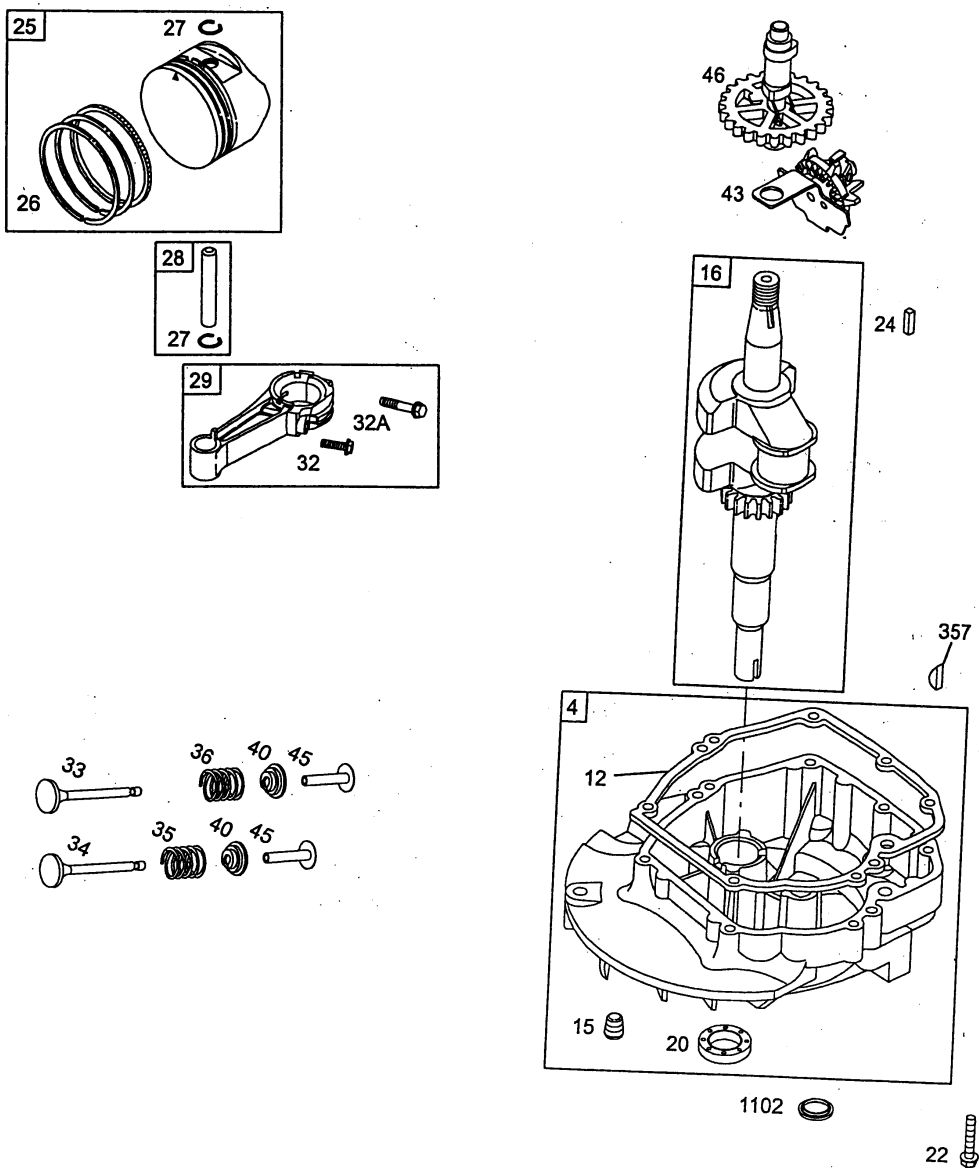
| Bild-Nr. | Best.-Nr. | Bezeichnung                    | Best.-Nr.<br>B & S |
|----------|-----------|--------------------------------|--------------------|
| 1        | 2058 100  | Zylinder                       | 493260             |
| 2        | 1034 101  | Lagerbuchse                    | 293708             |
| 3        | 2057 352  | Simmerring                     | 299819             |
| 5        | 2069 150  | Zylinderkopf                   | 214626             |
| 7        | 2063 103  | Zylinderkopfdichtung           | 272200             |
| 8        | 2059 300  | Dichtungsventil kpl.           | 495786             |
| 9        | 2058 301  | Dichtung-(Ventilationsöffnung) | 272481             |
| 10       | 2057 137  | Schraube                       | 94955              |
| 11       | 2063 310  | Entlüftungsrohr                | 231685             |
| 13       | 2063 108  | Schraube                       | 94547              |
| 50       | 2069 168  | Verteilereinlaß                | 497465             |
| 51       | 2063 207  | Eingangsdichtung               | 272199             |
| 54       | 2063 208  | Schraube                       | 94526              |
| 227      | 2063 054  | Hebel (Fliehkraftregler)       | 492349             |
| 287      | 2063 316  | Schraube                       | 94511              |
| 306      | 2063 119  | Zylinderschutzschild           | 224324             |
| 307      | 2063 120  | Schraube                       | 94515              |
| 337      | 2058 305  | Zündkerze                      | 802592             |
| 404      | 2063 303  | Scheibe                        | 690272             |
| 505      | 2063 304  | Mutter                         | 691251             |
| 523      | 2059 206  | Ölmeßstab                      | 495264             |
| 524      | 2056 175  | O-Ring                         | 692296             |
| 525      | 2063 212  | Öleinfüllrohr                  | 495265             |
| 562      | 2069 139  | Schraube                       | 94852              |
| 584      | 2063 122  | Entlüfterdeckel                | 224328             |
| 585      | 2063 209  | Dichtung                       | 272238             |
| 615      | 2063 125  | Halter                         | 94474              |
| 616      | 2057 163  | Drehhebel (Kurbelantrieb)      | 263175             |
| 635      | 1034 435  | Zündkerzenstecker              | 66538              |
| 684      | 2063 319  | Schraube                       | 690345             |
| 718      | 2063 320  | Stift                          | 690959             |
| 842      | 1034 439  | O-Ring                         | 691031             |
| 847      | 2059 058  | Öleinfüllrohr kpl.             | 495263             |

english: see next page

## Quantum 55 XTE Cylinder assembly

| Ref. No. | Part No. | Description               | Part No.<br>B & S |
|----------|----------|---------------------------|-------------------|
| 1        | 2058 100 | cylinder assembly         | 493260            |
| 2        | 1034 101 | kit - bushing/seal        | 293708            |
| 3        | 2057 352 | seal - oil                | 299819            |
| 5        | 2069 150 | head - cylinder           | 214626            |
| 7        | 2063 103 | gasket - cylinder head    | 272200            |
| 8        | 2059 300 | breather assembly         | 495786            |
| 9        | 2058 301 | gasket - breather         | 272481            |
| 10       | 2057 137 | screw                     | 94955             |
| 11       | 2063 310 | tube - breather           | 231685            |
| 13       | 2063 108 | screw                     | 94547             |
| 50       | 2069 168 | manifold-intake           | 497465            |
| 51       | 2063 207 | gasket - intake           | 272199            |
| 54       | 2063 208 | screw                     | 94526             |
| 227      | 2063 054 | lever - governor control  | 492349            |
| 287      | 2063 316 | screw                     | 94511             |
| 306      | 2063 119 | shield - cylinder         | 224324            |
| 307      | 2063 120 | screw                     | 94515             |
| 337      | 2058 305 | spark plug                | 802592            |
| 404      | 2063 303 | washer                    | 690272            |
| 505      | 2063 304 | nut                       | 691251            |
| 523      | 2059 206 | dipstick                  | 495264            |
| 524      | 2056 175 | o-ring                    | 692296            |
| 525      | 2063 212 | tube - dipstick           | 495265            |
| 562      | 2069 139 | screw                     | 94852             |
| 584      | 2063 122 | cover - breather passage  | 224328            |
| 585      | 2063 209 | gasket - breather passage | 272238            |
| 615      | 2063 125 | retainer - governor shaft | 94474             |
| 616      | 2057 163 | crank - governor          | 263175            |
| 635      | 1034 435 | boot - spark plug         | 66538             |
| 684      | 2063 319 | screw                     | 690345            |
| 718      | 2063 320 | pin-locating              | 690959            |
| 842      | 1034 439 | o-ring                    | 691031            |
| 847      | 2059 058 | dipstick / tube assembly  | 495263            |

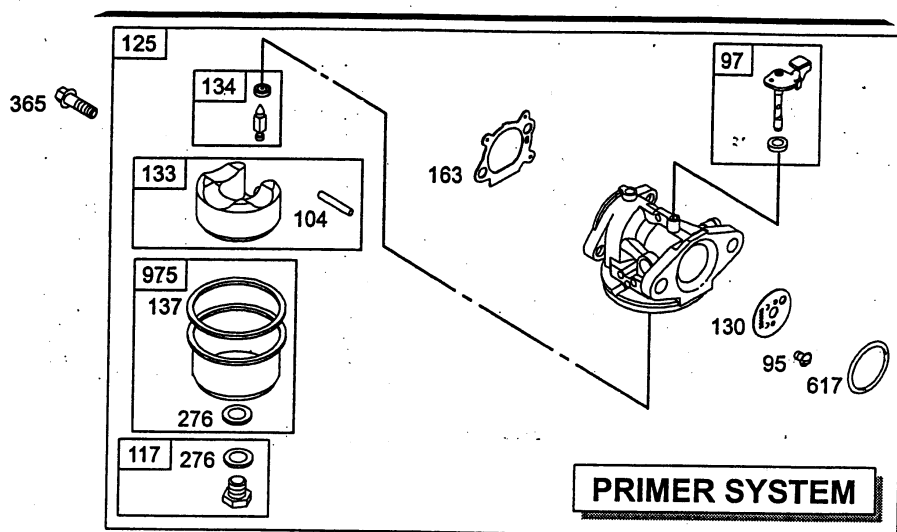
**Quantum 55 XTE Kolben, Ventile, Kurbelwelle, Ölwanne**  
**Quantum 55 XTE piston group, valve group, crankschaft, sump bases**



**Quantum 55 XTE Kolben, Ventile, Ölwanne**  
**Quantum 55 XTE Piston group, Valve group,**  
**Sump bases**

| <b>Bild-Nr. /<br/>Ref. No.</b> | <b>Best.-Nr. /<br/>Part No.</b> | <b>Bezeichnung</b> | <b>Description</b>   | <b>Part No.<br/>B &amp; S</b> |
|--------------------------------|---------------------------------|--------------------|----------------------|-------------------------------|
| 4                              | 2069 196                        | Ölwanne            | sump-engine          | 696294                        |
| 12                             | 2063 107                        | Dichtung           | gasket-crankcase     | 272198                        |
| 15                             | 2069 143                        | Ölablaßschraube    | plug-oil drain       | 94880                         |
| 16                             | 2056 187                        | Kurbelwelle        | crankshaft           | 691452                        |
| 20                             | 2063 112                        | Simmerring         | seal-oil             | 399781                        |
| 22                             | 2063 113                        | Schraube           | screw                | 94220                         |
| 24                             | 2057 130                        | Schwungradkeil     | feather-key          | 222698                        |
| 25                             | 2069 032                        | Kolben kpl.        | piston assembly      | 499429                        |
| 26                             | 2069 031                        | Ringset            | ring set             | 499425                        |
| 27                             | 2057 164                        | Sicherung          | lock - piston pin    | 263190                        |
| 28                             | 2057 195                        | Bolzen             | pin - piston         | 499423                        |
| 29                             | 2057 196                        | Pleuelstange       | rod - connecting     | 499424                        |
| 32                             | 2059 115                        | Schraube           | screw                | 94699                         |
| 32A                            | 2059 114                        | Schraube           | screw                | 695759                        |
| 33                             | 2063 201                        | Auslaßventil       | valve - exhaust      | 262651                        |
| 34                             | 2063 202                        | Einlaßventil       | valve - intake       | 262652                        |
| 35                             | 2063 203                        | Ventilfeder        | spring - valve       | 262224                        |
| 36                             | 2063 220                        | Ventilfeder        | spring - valve       | 691270                        |
| 40                             | 1034 217                        | Ventilhalter       | retainer - valve     | 93312                         |
| 43                             | 2063 206                        | Regler             | slinger-governor oil | 493737                        |
| 45                             | 2063 204                        | Ventilstößel       | tappet-valve         | 262204                        |
| 46                             | 2069 172                        | Nockenwelle        | camshaft             | 498275                        |
| 357                            | 2069 198                        | Keil-Kurbelwelle   | key-crankshaft       | 695867                        |
| 1102                           | 2057 118                        | Ring               | pilot-guide          | 232047                        |

**Quantum 55 XTE Vergaser (Primer System)**  
**Quantum 55 XTE carburetor (primer system)**



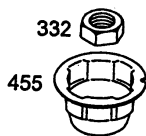
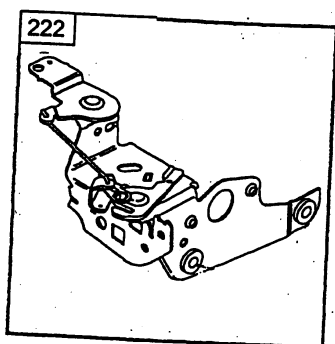


**Quantum 55 XTE Vergaser (Primer System)  
Quantum 55 XTE Carburetor (Primer system)**

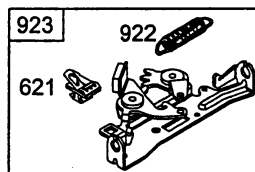
| <b>Bild-Nr. /<br/>Ref. No.</b> | <b>Best.-Nr. /<br/>Part No.</b> | <b>Bezeichnung</b>   | <b>Description</b>     | <b>Part No.<br/>B &amp; S</b> |
|--------------------------------|---------------------------------|----------------------|------------------------|-------------------------------|
| 95                             | 2057 128                        | Schraube             | screw (throttle valve) | 94098                         |
| 97                             | 2057 103                        | Drosselklappenschaft | shaft - throttle       | 696565                        |
| 104                            | 2057 120                        | Stift                | pin - float hinge      | 231371                        |
| 117                            | 2057 180                        | Hauptdüse-Dichtung   | jet - main             | 494870                        |
| 124                            | 2063 402                        | Schraube             | screw (carburetor)     | 94525                         |
| 125                            | 2069 025                        | Vergaser kpl.        | carburetor compl.      | 498170                        |
| 130                            | 2057 123                        | Drosselklappe        | valve - throttle       | 224908                        |
| 131                            | 2063 403                        | Drosselklappenwelle  | shaft - throttle       | 493267                        |
| 133                            | 2003 410                        | Schwimmer            | float - carburetor     | 398187                        |
| 134                            | 2003 411                        | Schwimmernadelventil | kit - needle/seal      | 398188                        |
| 276                            | 2059 202                        | Dichtung             | washer-sealing         | 271716                        |
| 365                            | 2069 323                        | Schraube             | screw                  | 692524                        |
| 617                            | 1034 428                        | Dichtung             | seal - o ring          | 270344                        |
| 975                            | 2058 409                        | Schwimmerkappe       | bowl - float           | 493640                        |

NR:4011 000 Bezeichnung: Premio 40 B Gruppe: BenzinmÄ¶her Jahr: 03 Typ: B, C, D

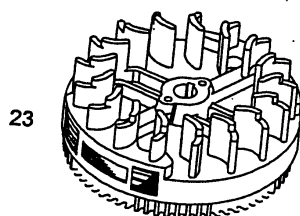
**Quantum 55 XTE Regelung, Polrad, Bremse**  
**Quantum 55 XTE control, flywheel, brake**



455



621

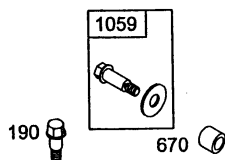
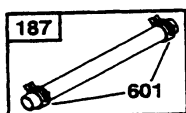
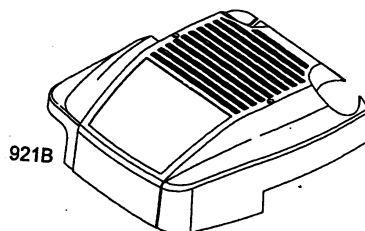
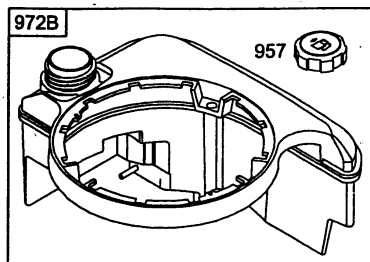


**Quantum 55 XTE Regelung, Polrad, Bremse**  
**Quantum 55 XTE Control, Flywheel, Brake**

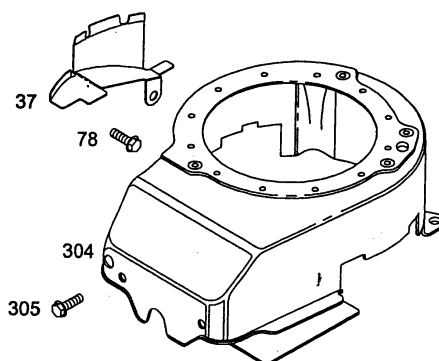
| Bild-Nr. /<br>Ref. No. | Best.-Nr. /<br>Part No. | Bezeichnung      | Description       | Part No.<br>B & S |
|------------------------|-------------------------|------------------|-------------------|-------------------|
| 23                     | 2063 135                | Schwungrad       | flywheel          | 692315            |
| 202                    | 2063 311                | GestÄ°nge/Gelenk | link - mechanical | 691829            |
| 209                    | 2063 335                | Reglerfeder      | spring - governor | 691852            |
| 222                    | 2069 020                | Vergasermechanik | bracket - control | 497203            |
| 236                    | 2063 134                | GestÄ°nge        | link-lockout      | 691826            |
| 332                    | 2069 132                | Mutter           | nut               | 92284             |
| 455                    | 2057 306                | Starterschale    | cup-flywheel      | 19069             |
| 621                    | 2063 129                | Ausschalter      | switch - stop     | 396847            |
| 623                    | 2063 130                | Bremse kpl.      | brake kpl.        | 493442            |
| 745                    | 2063 117                | Schraube         | screw             | 94512             |
| 922                    | 2063 307                | Feder            | spring-brake      | 262640            |

NR:4011 000 Bezeichnung: Premio 40 B Gruppe: BenzinmÄher Jahr: 03 Typ: B, C, D

**Quantum 55 XTE Haube, Tank, Lfterhaube**  
**Quantum 55 XTE covering cap, fuel tank, blower housing**



188

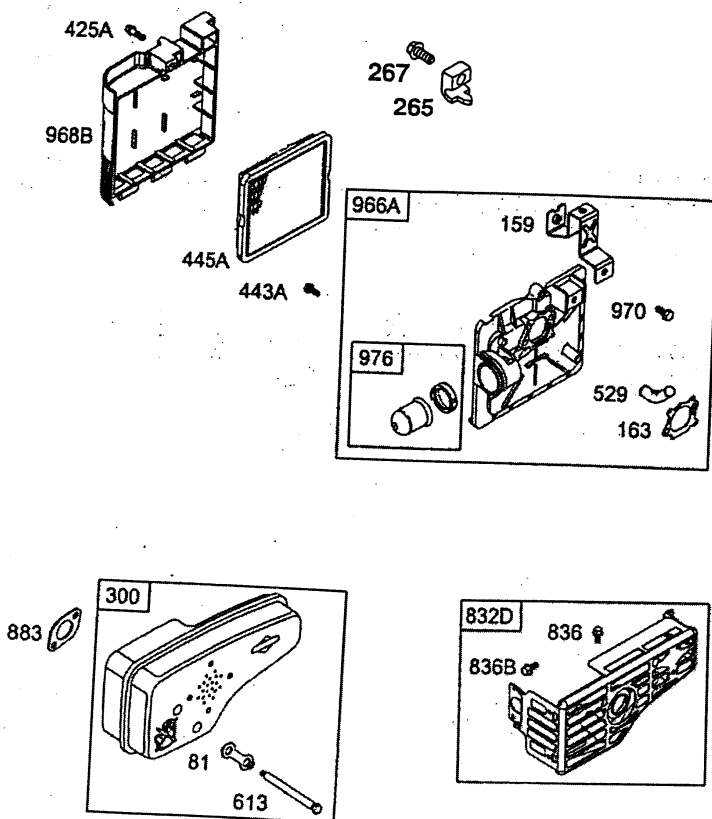


**Quantum 55 XTE Haube, Tank, LÜfterhaube**  
**Quantum 55 XTE Cover, Fuel tank, Blower housing**

| Bild-Nr. /<br>Ref. No. | Best.-Nr. /<br>Part No. | Bezeichnung          | Description        | Part No.<br>B & S |
|------------------------|-------------------------|----------------------|--------------------|-------------------|
| 37                     | 2058 306                | Schutzblech          | guard-flywheel     | 224511            |
| 78                     | 2058 104                | Schraube             | screw              | 691108            |
| 187                    | 2063 065                | Benzinleitung        | line - fuel        | 492790            |
| 188                    | 2058 311                | Schraube             | screw              | 690877            |
| 190                    | 2058 312                | Schraube             | screw              | 690940            |
| 304                    | 2058 107                | LÜftergehÄuse        | housing-blower     | 696298            |
| 305                    | 2057 106                | Schraube             | screw              | 94744             |
| 564                    | 2059 218                | Schraube             | screw              | 690664            |
| 601                    | 1036 517                | Klemme               | clamp - hose       | 93053             |
| 670                    | 2057 166                | H¼lse                | spacer - fuel tank | 280512            |
| 957                    | 2064 501                | Tankdeckel           | cap-fuel tank      | 397974            |
| 972B                   | 2059 510                | Tank                 | fuel tank          | 495224            |
| 1059                   | 2059 203                | Schraube mit Scheibe | kit-screw washer   | 696293            |

NR:4011 000 Bezeichnung: Premio 40 B Gruppe: Benzinm  her Jahr: 03 Typ: B, C, D

**Quantum 55 XTE Luffilter, Schalld  mpfer**  
**Quantum 55 XTE air cleaner, muffler**

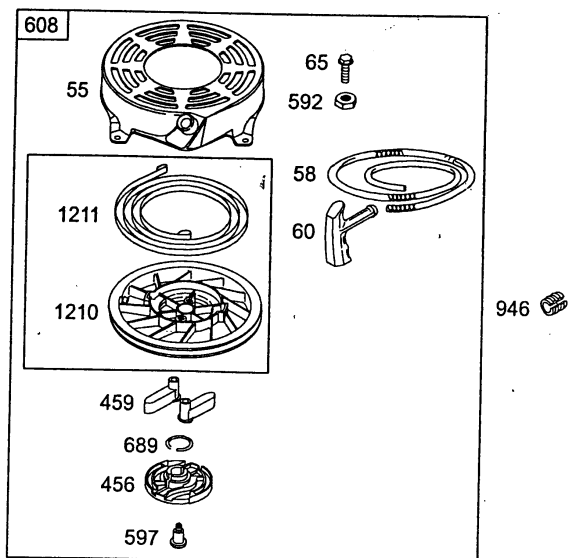
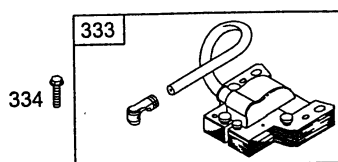


**Quantum 55 XTE Luftfilter, SchalldÄmpfer**  
**Quantum 55 XTE Air cleaner, Muffler**

| <b>Bild-Nr. /<br/>Ref. No.</b> | <b>Best.-Nr. /<br/>Part No.</b> | <b>Bezeichnung</b>     | <b>Description</b>       | <b>Part No.<br/>B &amp; S</b> |
|--------------------------------|---------------------------------|------------------------|--------------------------|-------------------------------|
| 81                             | 2063 501                        | Sicherung              | lock - muffler screw     | 223664                        |
| 159                            | 2063 503                        | Halter                 | bracket - air            | 691753                        |
| 163                            | 2059 220                        | Dichtung               | gasket - air cleaner     | 272653                        |
| 265                            | 2063 312                        | Klammer                | clamp                    | 213146                        |
| 267                            | 2059 304                        | Schraube               | screw                    | 94694                         |
| 300                            | 2069 019                        | SchalldÄmpfer ohne Kat | muffler without catalyst | 496106                        |
| 425A                           | 2059 216                        | Schraube               | screw                    | 690670                        |
| 443A                           | 2059 217                        | Schraube               | screw                    | 692523                        |
| 445A                           | 2058 411                        | Filtereinsatz          | filter-air cleaner       | 491588                        |
| 529                            | 2059 409                        | Lüfterschlauch         | grommet                  | 281299                        |
| 613                            | 2063 124                        | Schraube               | screw-muffler            | 94231                         |
| 832D                           | 2069 176                        | Berührungsschutz       | guard - muffler          | 499034                        |
| 836                            | 2059 218                        | Schraube               | screw                    | 690664                        |
| 836B                           | 1001 153                        | Schraube               | screw                    | 690661                        |
| 883                            | 2059 501                        | Auspuffdichtung        | gasket - exhaust         | 272253                        |
| 966A                           | 2059 405                        | LuftfiltergehÄuse kpl. | base-air cleaner primer  | 496116                        |
| 968B                           | 2059 219                        | Deckel                 | cover - air cleaner      | 692298                        |
| 970                            | 2059 213                        | Schraube               | screw                    | 691669                        |
| 976                            | 2057 181                        | Primer                 | primer                   | 496115                        |

NR:4011 000 Bezeichnung: Premio 40 B Gruppe: BenzinmÄ¶her Jahr: 03 Typ: B, C, D

**Quantum 55 XTE Zündanlage, Starter**  
**Quantum 55 XTE electrical, rewind - starter**



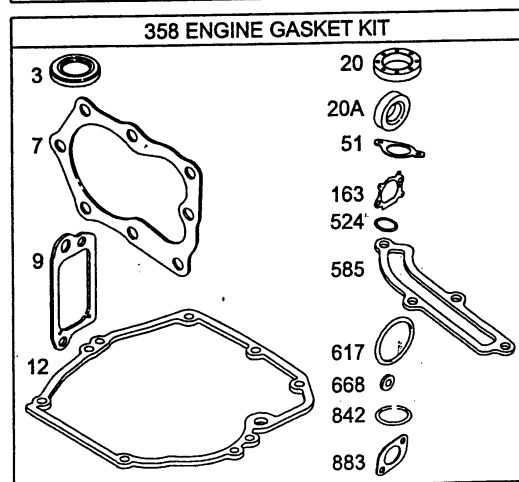
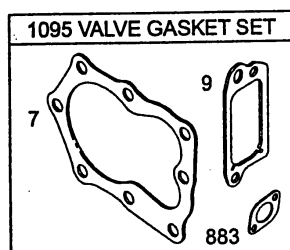
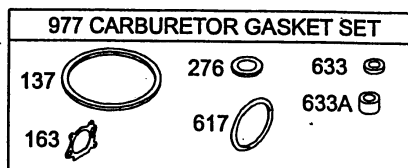
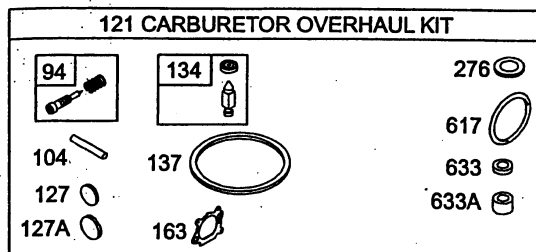


**Quantum 55 XTE Zndanlage, Starter**  
**Quantum 55 XTE Electrical, Rewind - starter**

| <b>Bild-Nr. /<br/>Ref. No.</b> | <b>Best.-Nr. /<br/>Part No.</b> | <b>Bezeichnung</b> | <b>Description</b>      | <b>Part No.<br/>B &amp; S</b> |
|--------------------------------|---------------------------------|--------------------|-------------------------|-------------------------------|
| 55                             | 2069 121                        | StartergehÄuse    | housing-rewind starter  | 497440                        |
| 58                             | 2063 604                        | Starterseil        | rope - starter          | 280399                        |
| 60                             | 2069 300                        | Startergriff       | grip - starter rope     | 281434                        |
| 65                             | 2069 324                        | Schraube           | screw                   | 690837                        |
| 333                            | 2063 056                        | Zndspule          | armature-magneto        | 802574                        |
| 334                            | 2059 306                        | Schraube           | screw                   | 94731                         |
| 356                            | 2059 317                        | Kurzschlukabel    | wire-stop               | 692390                        |
| 456                            | 2069 301                        | Federhalter        | plate - pawl friction   | 281503                        |
| 459                            | 2069 302                        | Klinke             | pawl - ratchet          | 281505                        |
| 592                            | 2069 325                        | Mutter             | nut                     | 690800                        |
| 597                            | 2069 124                        | Schraube           | screw                   | 94943                         |
| 608                            | 2069 012                        | Starter kpl.       | starter - rewind compl. | 497680                        |
| 689                            | 2069 125                        | Sprungfeder        | spring - friction       | 263073                        |
| 946                            | 2063 612                        | Seilklemme         | stop-rope               | 223294                        |
| 1210                           | 2069 122                        | Seilscheibe        | pulley                  | 281504                        |
| 1211                           | 2069 123                        | Starterfeder       | spring                  | 263074                        |

NR:4011 000 Bezeichnung: Premio 40 B Gruppe: BenzinmÄrher Jahr: 03 Typ: B, C, D

**Quantum 55 XTE Dichtungssatz**  
**Quantum 55 XTE gasket set**

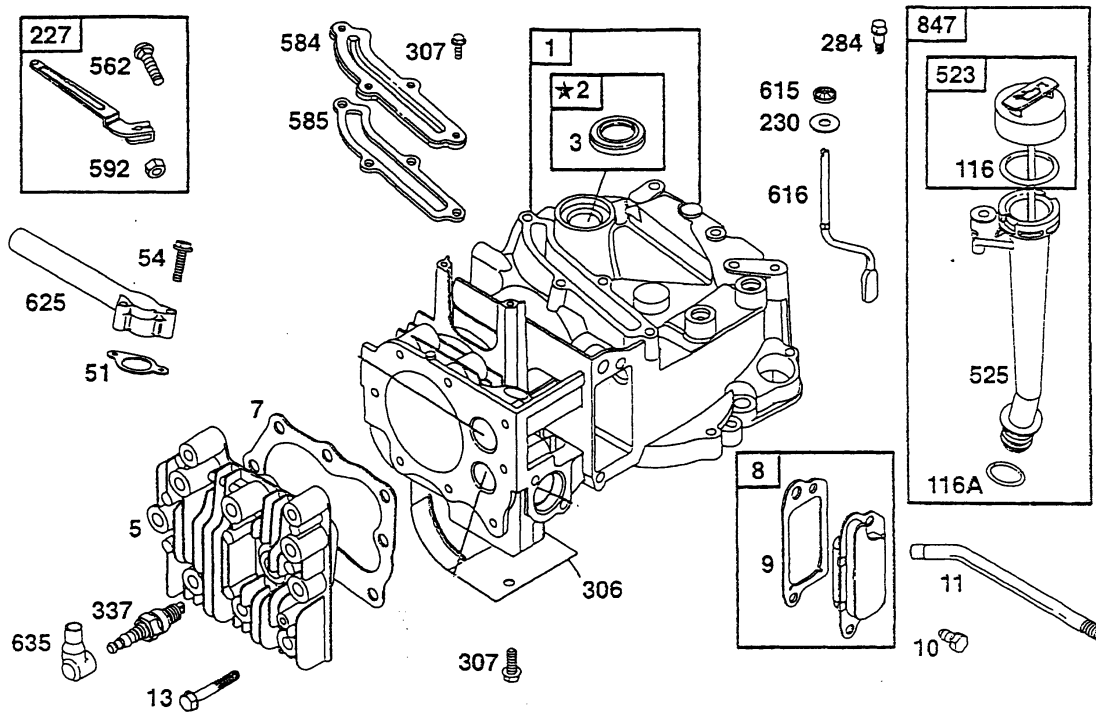


**Quantum 55 XTE Dichtungssatz**  
**Quantum 55 XTE Gasket set**

| <b>Bild-Nr. /<br/>Ref. No.</b> | <b>Best.-Nr. /<br/>Part No.</b> | <b>Bezeichnung</b>     | <b>Description</b>           | <b>Part No.<br/>B &amp; S</b> |
|--------------------------------|---------------------------------|------------------------|------------------------------|-------------------------------|
| 3                              | 2057 352                        | Simmerring-oben        | seal-oil (magneto side)      | 299819                        |
| 7                              | 2063 103                        | Zylinderkopfdichtung   | gasket - cylinder head       | 272916                        |
| 9                              | 2058 301                        | Dichtung-Entlüfter     | gasket - breather            | 272481                        |
| 12                             | 2063 107                        | Dichtung-Ölwanne       | gasket - crankcase           | 272198                        |
| 20                             | 2063 112                        | Simmerring-unten       | seal - oil (PTO side)        | 399781                        |
| 51                             | 2063 207                        | Dichtung-Eingang       | gasket - intake              | 272199                        |
| 94                             | 2058 403                        | Nadelventil            | kit - idle mixture           | 493765                        |
| 104                            | 2057 120                        | Stift                  | pin - float hinge            | 231371                        |
| 121                            | 2069 024                        | Vergaser Rep.-Satz     | carburetor overhaul-kit      | 498260                        |
| 134                            | 2003 411                        | Schwimmernadelventil   | kit - needle/seat            | 398188                        |
| 137                            | 2069 316                        | Dicht.-Schwimmerkappe  | gasket - float bowl          | 693981                        |
| 163                            | 2059 220                        | Dichtung-Luftfilter    | gasket - air cleaner         | 272653                        |
| 276                            | 2059 202                        | Dichtung               | washer-sealing               | 271716                        |
| 358                            | 2069 021                        | Dichtungssatz-Motor    | gasket set - engine          | 497316                        |
| 524                            | 2056 175                        | O-Ring/Ölrohr          | o-ring                       | 692296                        |
| 585                            | 2063 209                        | Dichtung-Gehäuse       | gasket - breather<br>passage | 272238                        |
| 617                            | 1034 428                        | O - Ring/Vergaser      | o ring carburetor            | 270344                        |
| 668                            | 2058 055                        | Sicherung              | spacer                       | 493823                        |
| 842                            | 1034 439                        | O-Ring/Ölmeßstab       | o-ring                       | 691031                        |
| 883                            | 2059 501                        | Auspuffdichtung        | gasket - exhaust             | 272253                        |
| 977                            | 2059 223                        | Dichtungssatz-Vergaser | gasket set-carburetor        | 490937                        |
| 1059                           | 2059 203                        | Schrauben-Muttern Satz | screw-nut kit                | 696293                        |
| 1095                           | 2069 057                        | Dichtungssatz          | gasket set-valve             | 498528                        |

**Quantum 50 XTE KurbelgehÄuse**

**Quantum 50 XTE cylinder assembly**



## Quantum 50 XTE KurbelgehÄuse

| Bild-Nr. | Best.-Nr. | Bezeichnung                    | Best.-Nr.<br>B & S |
|----------|-----------|--------------------------------|--------------------|
| 1        | 2058 100  | Zylinder                       | 493260             |
| 2        | 1034 101  | Lagerbuchse                    | 293708             |
| 3        | 2057 352  | Simmerring                     | 299819             |
| 5        | 2069 150  | Zylinderkopf                   | 214626             |
| 7        | 2063 103  | Zylinderkopfdichtung           | 272200             |
| 8        | 2059 300  | Dichtungsventil kpl.           | 495786             |
| 9        | 2058 301  | Dichtung-(Ventilationsöffnung) | 272481             |
| 10       | 2057 137  | Schraube                       | 94955              |
| 11       | 2063 310  | Entlüftungsrohr                | 231685             |
| 13       | 2063 108  | Schraube                       | 94547              |
| 51       | 2063 207  | Eingangsdichtung               | 272199             |
| 54       | 2063 208  | Schraube                       | 94526              |
| 116      | 2063 211  | Ring                           | 280393             |
| 116A     | 2063 216  | Ring                           | 280966             |
| 227      | 2063 054  | Hebel (Fliehkraftregler)       | 492349             |
| 230      | 2063 116  | Scheibe                        | 67072              |
| 284      | 2063 316  | Schraube                       | 94511              |
| 306      | 2063 119  | Zylinderschutzschild           | 224324             |
| 307      | 2063 120  | Schraube                       | 94515              |
| 337      | 2058 305  | Zündkerze                      | 802592             |
| 523      | 2059 206  | Ölmeßstab                      | 495264             |
| 525      | 2063 212  | Öleinfüllrohr                  | 495265             |
| 562      | 2069 139  | Schraube                       | 94852              |
| 584      | 2063 122  | Entlüfterdeckel                | 224328             |
| 585      | 2063 209  | Dichtung                       | 272238             |
| 592      | 2063 123  | Mutter                         | 231082             |
| 615      | 2063 125  | Halter                         | 94474              |
| 616      | 2057 163  | Drehhebel (Kurbelantrieb)      | 263175             |
| 625      | 2069 168  | Verteilereinlaß                | 497465             |
| 635      | 1034 435  | Zündkerzenstecker              | 66538              |
| 847      | 2059 058  | Öleinfüllrohr kpl.             | 495263             |

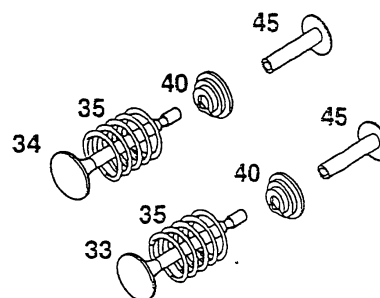
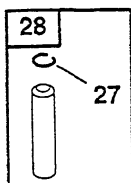
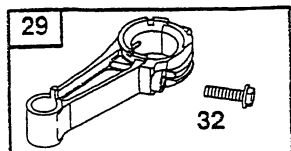
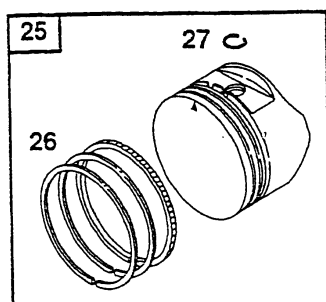
english: see next page

## Quantum 50 XTE Cylinder assembly

| Ref. No. | Part No. | Description               | Part No.<br>B & S |
|----------|----------|---------------------------|-------------------|
| 1        | 2058 100 | cylinder assembly         | 493260            |
| 2        | 1034 101 | kit - bushing/seal        | 293708            |
| 3        | 2057 352 | seal - oil                | 299819            |
| 5        | 2069 150 | head - cylinder           | 214626            |
| 7        | 2063 103 | gasket - cylinder head    | 272200            |
| 8        | 2059 300 | breather assembly         | 495786            |
| 9        | 2058 301 | gasket - breather         | 272481            |
| 10       | 2057 137 | screw                     | 94955             |
| 11       | 2063 310 | tube - breather           | 231685            |
| 13       | 2063 108 | screw                     | 94547             |
| 51       | 2063 207 | gasket - intake           | 272199            |
| 54       | 2063 208 | screw                     | 94526             |
| 116      | 2063 211 | seal - o ring             | 280393            |
| 116A     | 2063 216 | seal - o ring             | 280966            |
| 227      | 2063 054 | lever - governor control  | 492349            |
| 230      | 2063 116 | washer                    | 67072             |
| 284      | 2063 316 | screw                     | 94511             |
| 306      | 2063 119 | shield - cylinder         | 224324            |
| 307      | 2063 120 | screw                     | 94515             |
| 337      | 2058 305 | spark plug                | 802592            |
| 523      | 2059 206 | dipstick                  | 495264            |
| 525      | 2063 212 | tube - dipstick           | 495265            |
| 562      | 2069 139 | screw                     | 94852             |
| 584      | 2063 122 | cover - breather passage  | 224328            |
| 585      | 2063 209 | gasket - breather passage | 272238            |
| 592      | 2063 123 | nut                       | 231082            |
| 615      | 2063 125 | retainer - governor shaft | 94474             |
| 616      | 2057 163 | crank - governor          | 263175            |
| 625      | 2069 168 | manifold - intake         | 497465            |
| 635      | 1034 435 | boot - spark plug         | 66538             |
| 847      | 2059 058 | dipstick / tube assembly  | 495263            |

**Quantum 50 XTE Kolben, Ventile**

**Quantum 50 XTE piston group, valve group**

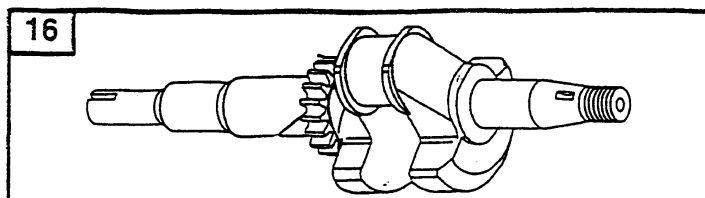


**Quantum 50 XTE Kolben, Ventile**  
**Quantum 50 XTE Piston group, Valve group**

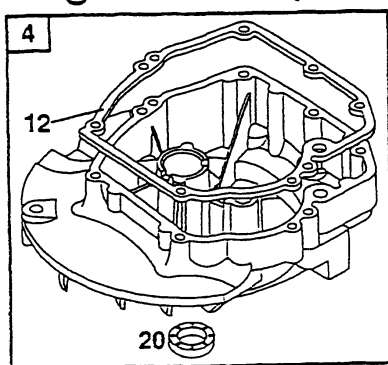
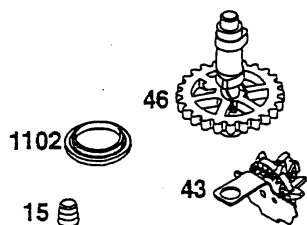
| <b>Bild-Nr. /<br/>Ref. No.</b> | <b>Best.-Nr. /<br/>Part No.</b> | <b>Bezeichnung</b> | <b>Description</b> | <b>Part No.<br/>B &amp; S</b> |
|--------------------------------|---------------------------------|--------------------|--------------------|-------------------------------|
| 25                             | 2069 032                        | Kolben kpl.        | piston assembly    | 499429                        |
| 26                             | 2069 031                        | Ringset            | ring set           | 499425                        |
| 27                             | 2057 164                        | Sicherung          | lock - piston pin  | 263190                        |
| 28                             | 2057 195                        | Bolzen             | pin - piston       | 499423                        |
| 29                             | 2057 196                        | Pleuelstange       | rod - connecting   | 499424                        |
| 32                             | 2059 115                        | Schraube           | screw              | 94699                         |
| 33                             | 2063 201                        | Auslaßventil       | valve - exhaust    | 262651                        |
| 34                             | 2063 202                        | Einlaßventil       | valve - intake     | 262652                        |
| 35                             | 2063 203                        | Ventilfeder        | spring - valve     | 262224                        |
| 40                             | 1034 217                        | Ventilhalter       | retainer - valve   | 93312                         |
| 45                             | 2063 204                        | Ventilstößel       | tappet-valve       | 262204                        |



**Quantum 50 XTE 50 Kurbelwelle,  lwanne**  
**Quantum 50 XTE crankshaft, sump bases**



24

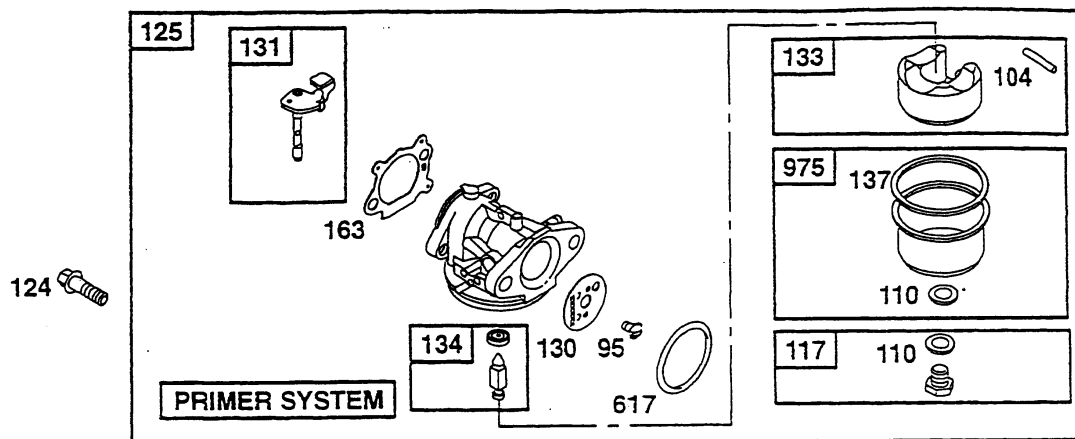


22

**Quantum 50 XTE Kurbelwelle, Ölwanne**  
**Quantum 50 XTE Crankshaft, sump bases**

| <b>Bild-Nr. /<br/>Ref. No.</b> | <b>Best.-Nr. /<br/>Part No.</b> | <b>Bezeichnung</b> | <b>Description</b>       | <b>Part No.<br/>B &amp; S</b> |
|--------------------------------|---------------------------------|--------------------|--------------------------|-------------------------------|
| 4                              | 2063 111                        | Ölwanne            | sump - engine            | 493279                        |
| 12                             | 2063 107                        | Dichtung           | gasket - crankcase       | 272198                        |
| 15                             | 2069 143                        | Ölablaßschraube    | plug - oil drain         | 94880                         |
| 16                             | 2069 173                        | Kurbelwelle 80 mm  | crankshaft 80 mm         | 498565                        |
| 16                             | 2069 178                        | Kurbelwelle 62 mm  | crankshaft 62 mm         | 498566                        |
| 20                             | 2063 112                        | Simmerring         | seal - oil               | 399781                        |
| 22                             | 2063 113                        | Schraube           | screw                    | 94220                         |
| 24                             | 2057 130                        | Schwungradkeil     | feather key              | 222698                        |
| 43                             | 2063 206                        | Regler             | slinger - governor / oil | 493737                        |
| 46                             | 2069 172                        | Nockenwelle        | camshaft                 | 498275                        |
| 1102                           | 2057 118                        | Ring               | pilot - guide            | 232047                        |

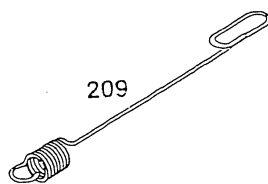
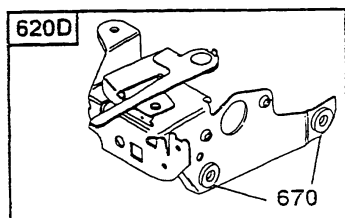
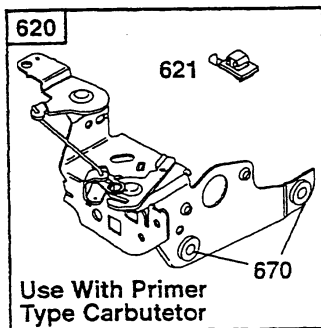
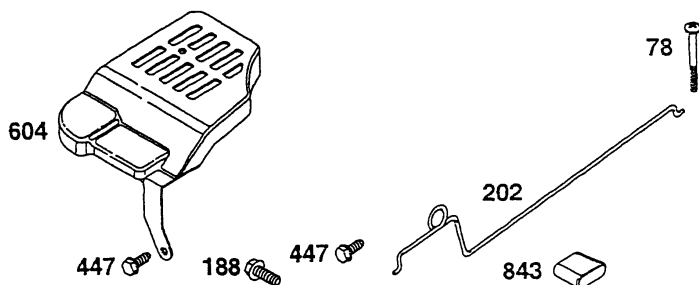
**Quantum 50 XTE Vergaser (Primer System)**  
**Quantum 50 XTE carburetor (primer system)**



**Quantum 50 XTE Vergaser (Primer System)  
Quantum 50 XTE Carburetor (Primer system)**

| <b>Bild-Nr. /<br/>Ref. No.</b> | <b>Best.-Nr. /<br/>Part No.</b> | <b>Bezeichnung</b>     | <b>Description</b>     | <b>Part No.<br/>B &amp; S</b> |
|--------------------------------|---------------------------------|------------------------|------------------------|-------------------------------|
| 95                             | 2057 128                        | Schraube               | screw (throttle valve) | 94098                         |
| 104                            | 2057 120                        | Stift                  | pin - float hinge      | 231371                        |
| 117                            | 2057 180                        | HauptdÙse mit Dichtung | jet - main             | 494870                        |
| 124                            | 2063 402                        | Schraube               | screw (carburetor)     | 94525                         |
| 125                            | 2069 025                        | Vergaser kpl.          | carburetor compl.      | 498170                        |
| 130                            | 2057 123                        | Drosselklappe          | valve - throttle       | 224908                        |
| 131                            | 2063 403                        | Drosselklappenwelle    | shaft - throttle       | 493267                        |
| 133                            | 2003 410                        | Schwimmer              | float - carburetor     | 398187                        |
| 134                            | 2003 411                        | Schwimmernadelventil   | kit - needle/seal      | 398188                        |
| 163                            | 2059 220                        | Starterklappe          | gasket - air cleaner   | 272653                        |
| 617                            | 1034 428                        | Dichtung               | seal - o ring          | 270344                        |
| 975                            | 2058 409                        | Schwimmerkappe         | bowl - float           | 493640                        |

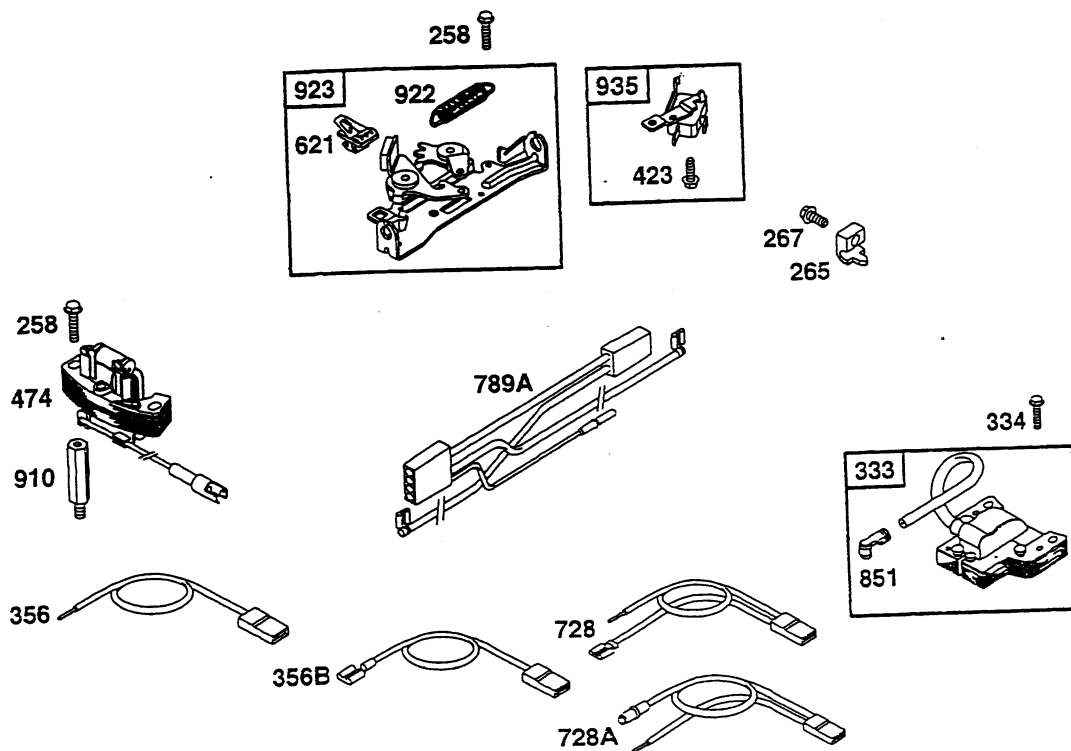
**Quantum 50 XTE Regelung**  
**Quantum 50 XTE control**



**Quantum 50 XTE Regelung  
Quantum 50 XTE Control**

| <b>Bild-Nr. /<br/>Ref. No.</b> | <b>Best.-Nr. /<br/>Part No.</b> | <b>Bezeichnung</b> | <b>description</b>            | <b>Part No.<br/>B &amp; S</b> |
|--------------------------------|---------------------------------|--------------------|-------------------------------|-------------------------------|
| 65                             | 2057 108                        | Schraube           | screw                         | 94874                         |
| 78                             | 2069 144                        | Schraube           | screw                         | 95077                         |
| 188                            | 2058 405                        | Schraube           | screw                         | 94644                         |
| 202                            | 2063 311                        | GestÄnge/Gelenk    | link - mechanical<br>governor | 262579                        |
| 209                            | 2057 147                        | Reglerfeder        | spring - governor             | 263046                        |
| 447                            | 2058 406                        | Schraube           | screw                         | 93801                         |
| 604                            | 2058 400                        | Abdeckung          | cover - control               | 224509                        |
| 620                            | 2069 020                        | Vergasermechanik   | bracket - control             | 497203                        |
| 620D                           | 2069 028                        | Vergasermechanik   | bracket - control             | 498581                        |
| 621                            | 2063 129                        | Ausschalter        | switch - stop                 | 396847                        |
| 670                            | 2058 407                        | DistanzstÄck       | spacer                        | 493823                        |

**Quantum 50 XTE Z ndanlage**  
**Quantum 50 XTE electrical**

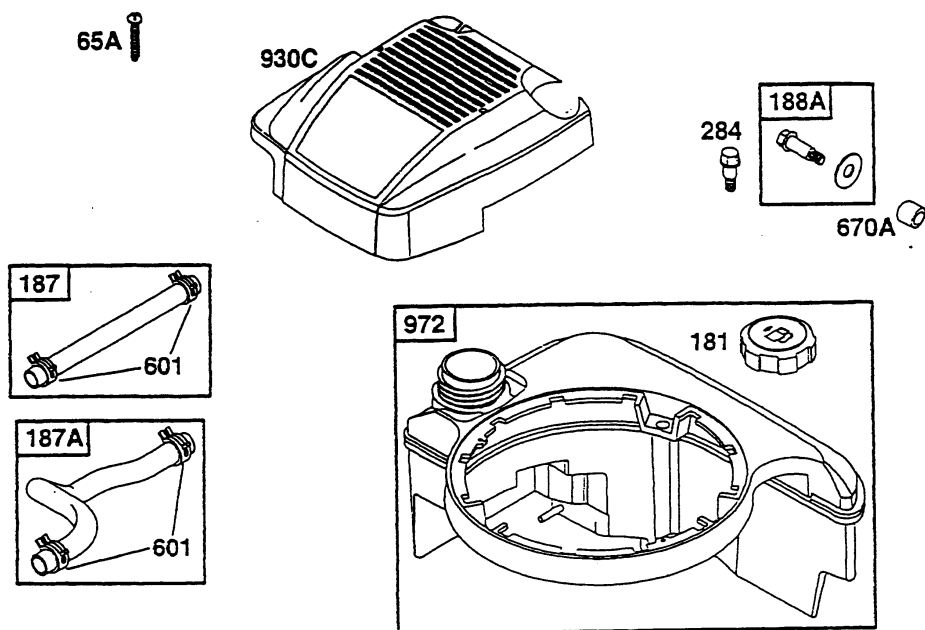


**Quantum 50 XTE ZÄndanlage**  
**Quantum 50 XTE electrical**

| <b>Bild-Nr. /<br/>Ref. No.</b> | <b>Best.-Nr. /<br/>Part No.</b> | <b>Bezeichnung</b> | <b>Description</b>    | <b>Part No.<br/>B &amp; S</b> |
|--------------------------------|---------------------------------|--------------------|-----------------------|-------------------------------|
| 258                            | 2063 117                        | Schraube           | screw                 | 94512                         |
| 265                            | 2063 312                        | Klammer            | clamp                 | 213146                        |
| 267                            | 2059 304                        | Schraube           | screw                 | 94694                         |
| 333                            | 2063 056                        | ZÄndspule          | armature - magneto    | 802574                        |
| 334                            | 2059 306                        | Schraube           | screw                 | 94731                         |
| 356                            | 2057 183                        | Kabelbaum          | wire - stop           | 497833                        |
| 356B                           | 2069 208                        | Kabelbaum          | wire - stop           | 496037                        |
| 423                            | 2057 102                        | Schraube           | screw                 | 93758                         |
| 474                            | 2069 118                        | Lichtspule         | alternator            | 492841                        |
| 621                            | 2063 129                        | Ausschalter        | switch - stop         | 396847                        |
| 728                            | 2069 041                        | Kabelbaum          | cable form            | 494714                        |
| 728A                           | 2069 043                        | Kabelbaum          | cable form            | 496381                        |
| 789A                           | 2069 120                        | Kabelbaum          | cable form            | 493380                        |
| 851                            | 2057 179                        | Stecker            | terminal - spark plug | 493880                        |
| 910                            | 2069 117                        | ZwischenstÄck      | stud (alternator)     | 94510                         |
| 922                            | 2063 307                        | Feder              | spring - brake        | 262640                        |
| 923                            | 2063 130                        | Bremse             | brake                 | 493442                        |
| 935                            | 2057 052                        | Schalter           | switch - interlock    | 499421                        |



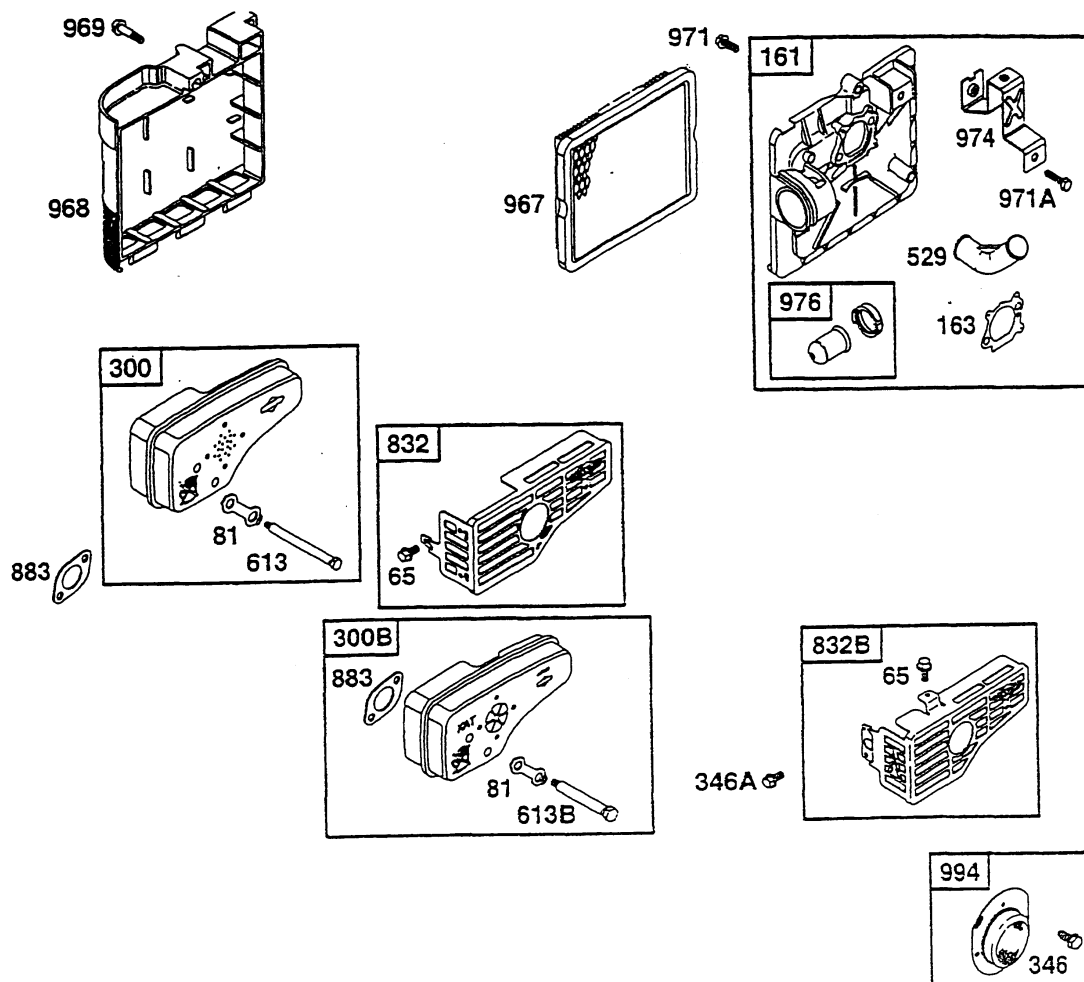
**Quantum 50 XTE Haube, KraftstoffbehÄ¶lter**  
**Quantum 50 XTE covering cap, fuel tank**



**Quantum 50 XTE Haube, KraftstoffbehÄ¶lter**  
**Quantum 50 XTE Covering cap, fuel tank**

| Bild-Nr. /<br>Ref. No. | Best.-Nr. /<br>Part No. | Bezeichnung           | Description          | Part No.<br>B & S |
|------------------------|-------------------------|-----------------------|----------------------|-------------------|
| 65A                    | 2066 301                | Schraube              | screw                | 94696             |
| 181                    | 2064 501                | Tankdeckel            | cap - fuel tank      | 397974            |
| 187                    | 2063 065                | Benzinleitung         | line - fuel          | 492790            |
| 187                    | 2057 371                | Benzinleitung         | line - fuel          | 296004            |
| 187A                   | 2069 309                | Benzinleitung         | line - fuel (molded) | 492791            |
| 188A                   | 2057 143                | Schraube mit Scheibe  | kit - screw/washer   | 398540            |
| 284                    | 2063 316                | Schraube              | screw                | 94511             |
| 601                    | 1036 517                | Klemme                | clamp - hose         | 93053             |
| 601A                   | 2058 517                | Klemme                | clamp - hose         | 93807             |
| 670A                   | 2057 166                | Hülse                 | spacer - fuel tank   | 280512            |
| 930C                   | 2069 304                | Abdeckhaube (schwarz) | covering cap (black) | 281440            |
| 972                    | 2059 510                | Tank                  | fuel tank            | 495224            |

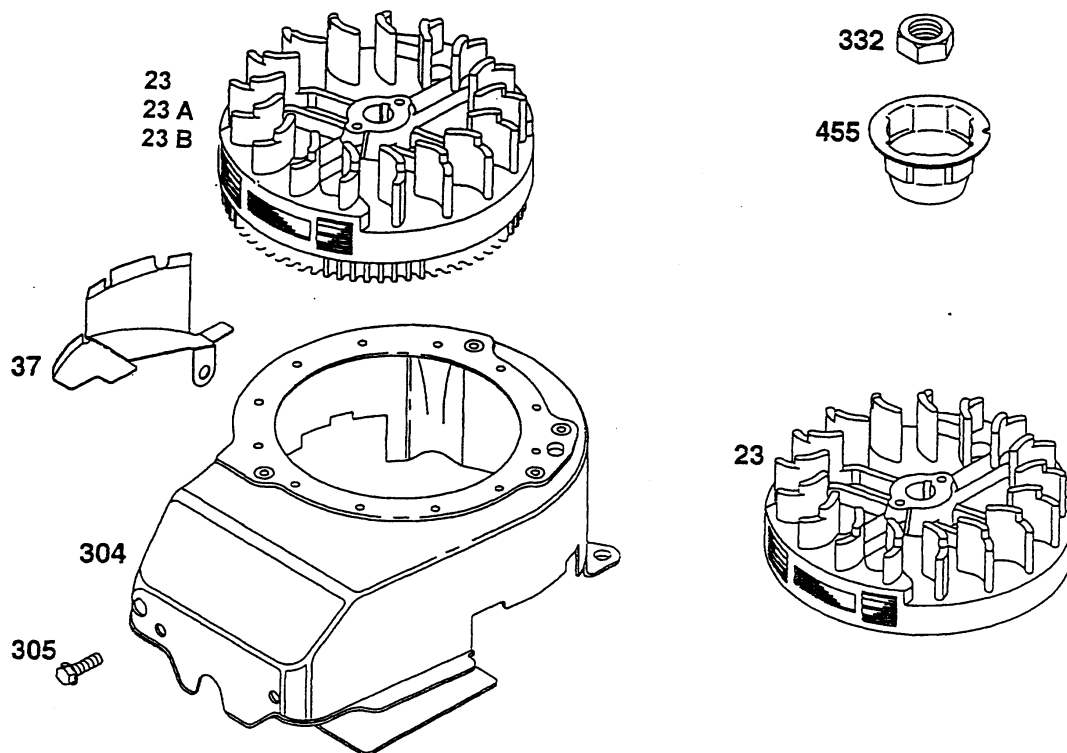
**Quantum 50 XTE Luftfilter, SchalldÄmpfer**  
**Quantum 50 XTE air cleaner, muffler**



**Quantum 50 XTE Luftfilter, SchalldÄmpfer**  
**Quantum 50 XTE Air cleaner, muffler**

| Bild-Nr. /<br>Ref. No. | Best.-Nr. /<br>Part No. | Bezeichnung                          | Description                        | Part No.<br>B & S |
|------------------------|-------------------------|--------------------------------------|------------------------------------|-------------------|
| 65                     | 2057 108                | Schraube                             | screw                              | 94874             |
| 81                     | 2063 501                | Sicherung                            | lock - muffler screw               | 223664            |
| 161                    | 2059 405                | LuftfiltergehÄuse                    | base - air cleaner                 | 496116            |
| 163                    | 2059 220                | Dichtung                             | gasket - air cleaner               | 272653            |
| 300                    | 2069 019                | Auspuff ohne KAT                     | muffler without catalyst           | 496106            |
| 300B                   | 2069 023                | Auspuff mit KAT                      | muffler with catalyst              | 497681            |
| 346                    | 2069 134                | Schraube                             | screw                              | 93705             |
| 346A                   | 2069 145                | Schraube                             | screw                              | 95130             |
| 529                    | 2059 409                | Lüfterschlauch                       | grommet                            | 281299            |
| 613                    | 2063 124                | Schraube                             | screw (muffler)                    | 94231             |
| 613B                   | 2069 140                | Schraube                             | screw (muffler)                    | 94858             |
| 676D                   | 2069 170                | Deflektor                            | deflector (muffler)                | 497682            |
| 832                    | 2069 176                | Berührungsschutz                     | guard - muffler                    | 499034            |
| 832B                   | 2069 171                | Berührungsschutz<br>(Ausführung KAT) | guard - muffler<br>(catalyst only) | 497683            |
| 883                    | 2059 501                | Auspuffdichtung                      | gasket - exhaust                   | 272253            |
| 967                    | 2063 408                | Luftfilter / Filterelement           | air cleaner                        | 491588            |
| 968                    | 2059 406                | Deckel                               | cover - air cleaner                | 281340            |
| 969                    | 2069 141                | Schraube                             | screw                              | 94872             |
| 971                    | 2069 104                | Schraube                             | screw                              | 94878             |
| 971A                   | 2059 303                | Schraube                             | screw                              | 94749             |
| 974                    | 2059 404                | Halter                               | bracket - air cleaner              | 224815            |
| 976                    | 2057 181                | Primer                               | primer                             | 496115            |

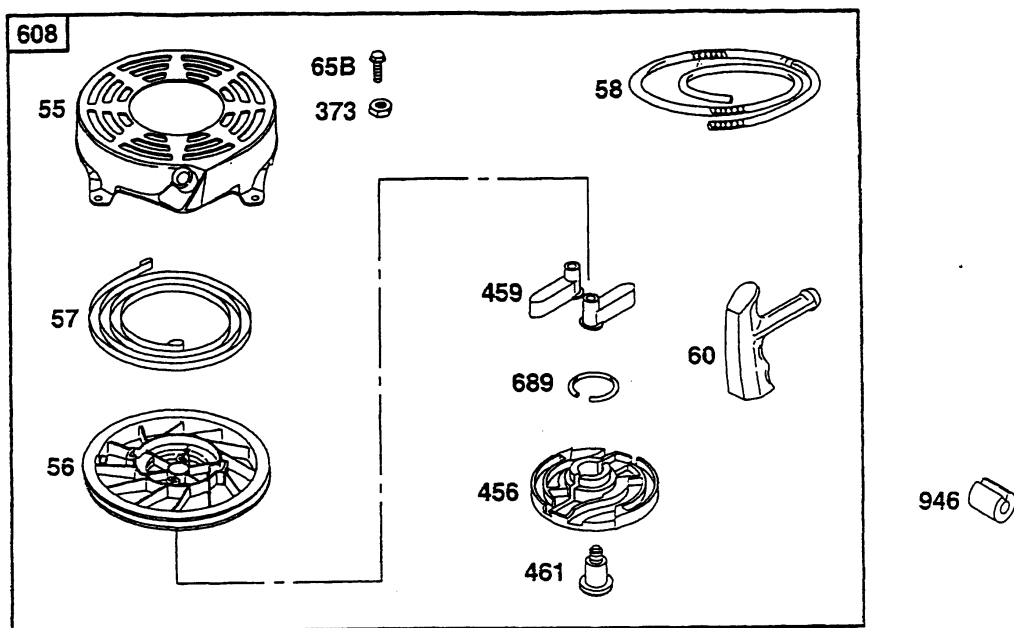
**Quantum 50 XTE Polrad, L  fterhaube**  
**Quantum 50 XTE flywheel, blower housing**



**Quantum 50 XTE Polrad, LÜfterhaube**  
**Quantum 50 XTE Flywheel, blower housing**

| <b>Bild-Nr. /<br/>Ref. No.</b> | <b>Best.-Nr. /<br/>Part No.</b> | <b>Bezeichnung</b> | <b>Description</b> | <b>Part No.<br/>B &amp; S</b> |
|--------------------------------|---------------------------------|--------------------|--------------------|-------------------------------|
| 23B                            | 2069 179                        | Schwungrad schw.   | flywheel           | 492893                        |
| 37                             | 2058 306                        | Schutzblech        | guard - flywheel   | 224511                        |
| 304                            | 2063 315                        | Lüftergehäuse      | housing - blower   | 493294                        |
| 305                            | 2057 106                        | Schraube           | screw              | 94744                         |
| 332                            | 2069 132                        | Mutter             | nut                | 92284                         |
| 363                            | 2062 057                        | Abzieher           | flywheel puller    | 19069                         |
| 455                            | 2057 306                        | Starterschale      | cup - flywheel     | 225121                        |

**Quantum 50 XTE Starter**  
**Quantum 50 XTE rewind - starter**

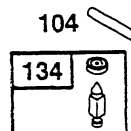
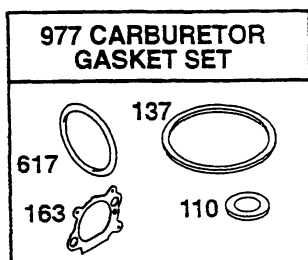
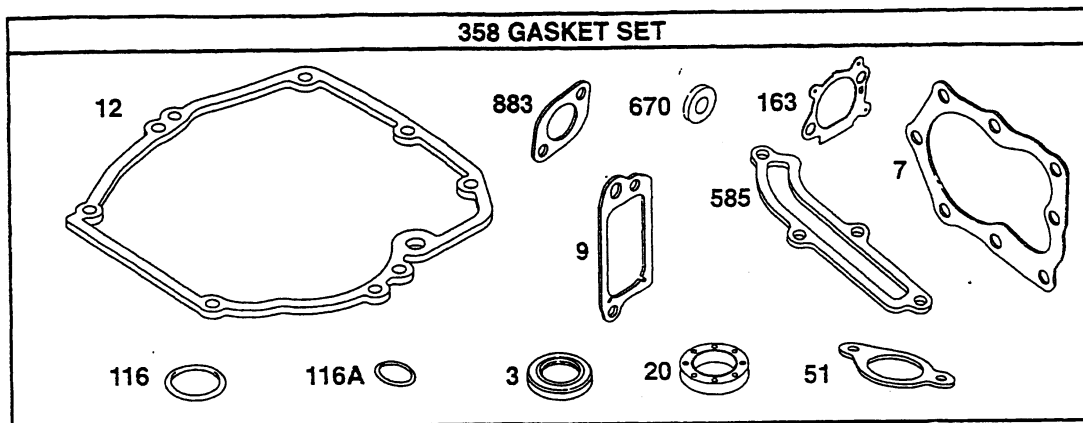


**Quantum 50 XTE Starter**  
**Quantum 50 XTE Rewind - starter**

| <b>Bild-Nr. /<br/>Ref. No.</b> | <b>Best.-Nr. /<br/>Part No.</b> | <b>Bezeichnung</b> | <b>Description</b>       | <b>Part No.<br/>B &amp; S</b> |
|--------------------------------|---------------------------------|--------------------|--------------------------|-------------------------------|
| 55                             | 2069 121                        | Startergeh  use    | housing - rewind starter | 497440                        |
| 56                             | 2069 122                        | Starterseilscheibe | pulley                   | 281504                        |
| 57                             | 2069 123                        | Starterfeder       | spring                   | 263074                        |
| 58                             | 2063 604                        | Starterseil        | rope - starter           | 280399                        |
| 60                             | 2069 300                        | Startergriff       | grip - starter rope      | 281434                        |
| 456                            | 2069 301                        | Federhalter        | plate - pawl friction    | 281503                        |
| 459                            | 2069 302                        | Klinke             | pawl - ratchet           | 281505                        |
| 461                            | 2069 124                        | Schraube           | screw                    | 94943                         |
| 608                            | 2069 012                        | Starter kpl.       | starter - rewind compl.  | 497680                        |
| 689                            | 2069 125                        | Sprungfeder        | spring - friction        | 263073                        |
| 946                            | 2063 612                        | Seilklemme         | stop - rope              | 223294                        |



**Quantum 50 XTE Dichtungssatz**  
**Quantum 50 XTE gasket set**



**Quantum 50 XTE Dichtungssatz**  
**Quantum 50 XTE Gasket set**

| Bild-Nr. /<br>Ref. No. | Best.-Nr. /<br>Part No. | Bezeichnung                      | Description                        | Part No.<br>B & S |
|------------------------|-------------------------|----------------------------------|------------------------------------|-------------------|
| 3                      | 2057 352                | Simmerring (oben)                | seal - oil (magneto side)          | 299819            |
| 7                      | 2063 103                | Zylinderkopfdichtung             | gasket - cylinder head             | 272916            |
| 9                      | 2058 301                | Dichtung (f. EntlÄ¶fter)         | gasket - breather                  | 272481            |
| 12                     | 2063 107                | Dichtung (f. Ölwanne)            | gasket - crankcase                 | 272198            |
| 20                     | 2063 112                | Simmerring (unten)               | seal - oil (PTO side)              | 399781            |
| 51                     | 2063 207                | Dichtung (f. Eingang)            | gasket - intake                    | 272199            |
| 94                     | 2058 403                | Nadelventil                      | kit - idle mixture                 | 493765            |
| 104                    | 2057 120                | Stift                            | pin - float hinge                  | 231371            |
| 116                    | 2063 211                | Dichtung (f. Ölrrohr)            | gasket                             | 280393            |
| 116A                   | 2063 216                | Dichtung (f. Ölrrohr)            | gasket                             | 280966            |
| 134                    | 2003 411                | Schwimmernadelventil             | kit - needle/seat                  | 398188            |
| 137                    | 2069 316                | Dichtung<br>(für Schwimmerkappe) | gasket - float bowl                | 693981            |
| 163                    | 2059 220                | Dichtung (f. Luftfilter)         | gasket - air cleaner               | 272653            |
| 358                    | 2069 021                | Dichtungssatz Motor              | gasket set - engine                | 497316            |
| 585                    | 2063 209                | Dichtung (f. Gehäuse)            | gasket - breather passage          | 272238            |
| 617                    | 1034 428                | O - Ring<br>(für Vergaser)       | seal - o ring<br>(intake manifold) | 270344            |
| 670                    | 2058 407                | Distanzstück                     | spacer                             | 493823            |
| 883                    | 2059 501                | Auspuffdichtung                  | gasket - exhaust                   | 272253            |
| 977                    | 2059 223                | Dichtungssatz Vergas.            | gasket set - carburetor            | 490937            |