

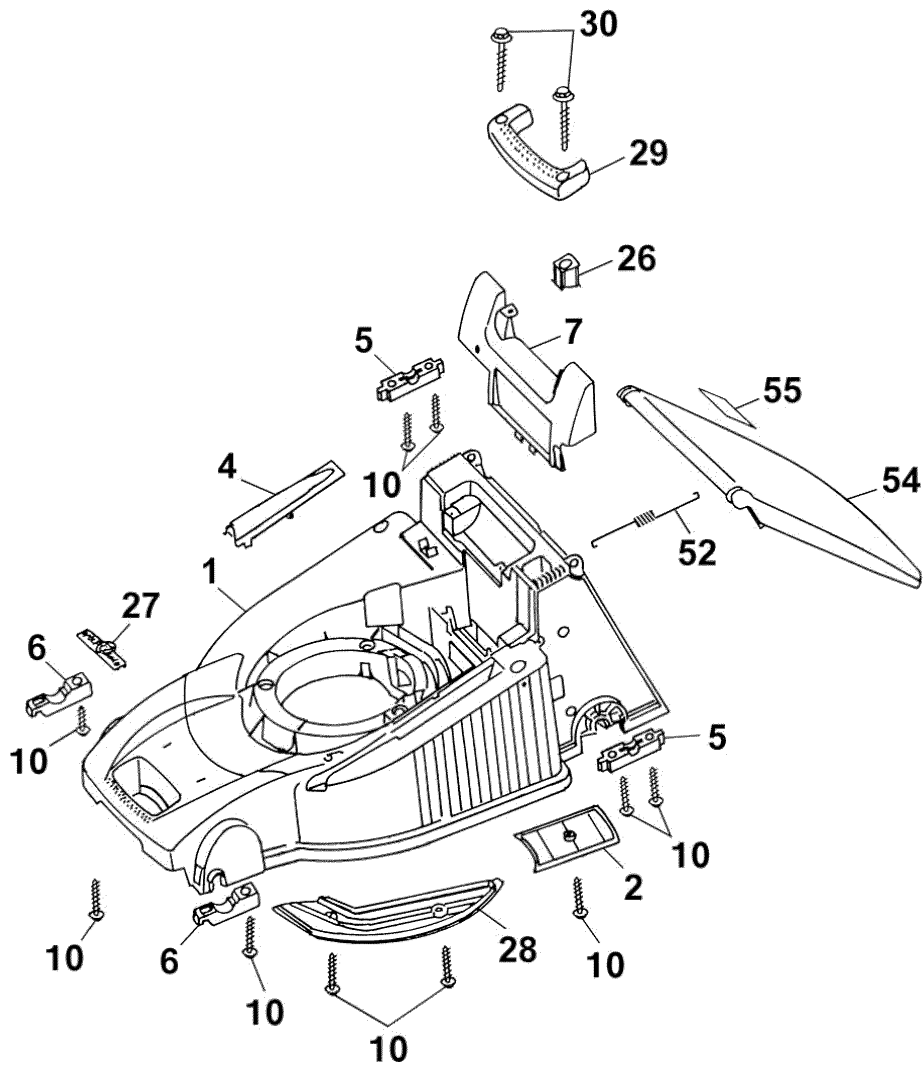
## HBM 38 BA, Serie A / HBM 38 BA, Series A

### Ausstattung Benzinmäher / Specification Petrol-mowers

|   |   |
|---|---|
| Typ / Kurzbez. / short code   | HBM 38 BA   |
| Ausführung für / version  | International   |
| Geräte - Nr. / part No.   | 4005005   |
| Schnittbreite / cutting width   | 38 cm   |
| Chassismaterial / chassis material  | Kunststoff / high quality polymer                       |
| Gewicht / weight  | 28 kg   |
| Schalleistung / sound level   | 96 dB (A)   |
| Ø Rad vorne / front wheel diameter  | 17 cm (Kugellager / ball bearing)                       |
| Ø Rad hinten / rear wheel diameter  | 20 cm (Kugellager / ball bearing)                       |
| Höhenverstellung / height adjustment  | zentral, 5-fach / central, five-fold                    |
| Schnitthöhe (cm) / cutting height (cm)  | 2,5 - 7,2 cm  |
| Antrieb ja/nein / power drive yes/no  | ja / yes, 3,5 km/h                                      |
| Motor - Hersteller / motor producer   | Briggs & Stratton                                       |
| Motor - Modell / motor - type   | Quattro 40  |
| Spezifikation / specification   | 10A9022294B1  |
| Motor-Nr. WOLF / motor-number   | 2056000   |
| Nennleistung / nominal capacity   | 2,4 kW (3,3 PS)   |
| Zündkerze / spark plug  | Champion RJ 19 LM<br>(Artikel-Nr. / part no.: 2058305)  |
| Griffgestänge / handlebar   | Klappgriff, Holmstart /<br>folding handlebar, bar start |
| Fangkorb / grass box  | Art.-Nr. / part no.: 4961065 ( 56 L)                    |
| <u>Drehmomente Chassis / torque settings,<br/>chassis fasteners:</u>                  |   |
| Achsbefest. (Lagerschale vorne/hinten) /<br>axle fastening (bearing shell front/rear) | 2-3 Nm  |
| Radbefestigung / wheel fastening  | 10 Nm   |
| Führung Höhenverstellung /<br>guide height-adjustment                                 | 2-3 Nm  |
| Windkanaleinlage - Chassis /<br>wind tunnel insert - chassis                          | 2-3 Nm  |
| Stehbolzen an Motor / stud bolt to motor  | 16-20 Nm  |
| Stehbolzen an Chassis /<br>stud bolt to chassis                                       | 12-14 Nm  |
| Chassisabdeckung + Griff /<br>chassis covering + handle                               | 2-3 Nm  |
| Messerbalken an Motorwelle /<br>cutter bar to motor shaft                             | 38-42 Nm  |
| Keilriemenabdeckung / v-belt cover  | 2-3 Nm  |

Ⓓ HBM 38 BA Chassis

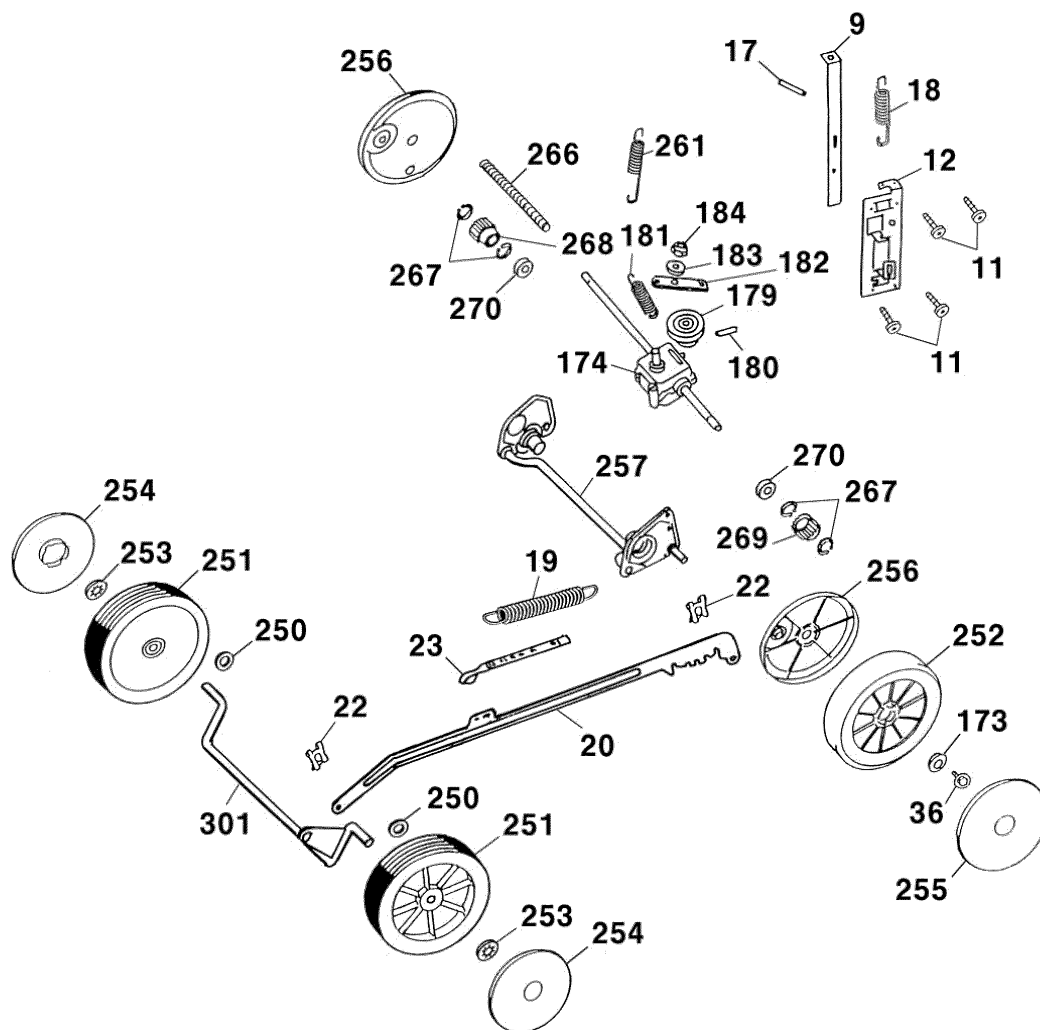
ⒼⒷ HBM 38 BA Chassis



## HBM 38 BA Chassis

| <b>Bild-Nr. /<br/>Ref. No.</b> | <b>Best.-Nr. /<br/>Part No.</b> | <b>Bezeichnung</b>          | <b>description</b>             |
|--------------------------------|---------------------------------|-----------------------------|--------------------------------|
| 1                              | 4005 300                        | Chassis                     | chassis                        |
| 2                              | 4961 324                        | Keilriemenabdeckung         | v-belt cover                   |
| 4                              | 4601 315                        | Hutze                       | cover                          |
| 5                              | 4961 313                        | Stützschale, hinten (2 St.) | rear support shell (2 pieces)  |
| 6                              | 4961 312                        | Stützschale, vorn (2 Stück) | front support shell (2 pieces) |
| 7                              | 4001 310                        | Chassisabdeckung            | chassis cover                  |
| 10                             | 0012 631                        | Schraube (9 Stück)          | screw (9 pieces)               |
| 26                             | 4961 304                        | Knopf                       | button                         |
| 27                             | 0051 115                        | WOLF-Garten Marke           | WOLF-Garten brand              |
| 28                             | 4001 311                        | Windkanalabdeckung          | wind tunnel cover              |
| 29                             | 4601 303                        | Tragegriff, hinten          | rear carrying handle           |
| 30                             | 0012 639                        | Schraube (2 Stück)          | screw (2 pieces)               |
| 52                             | 4961 106                        | Zugfeder                    | tension spring                 |
| 54                             | 4620 302                        | Schutzklappe (gelb)         | rear flap (yellow)             |
| 55                             | 0051 224                        | Sicherheitsetik.,Pictogramm | safety label                   |

- Ⓓ HBM 38 BA Achse, Räder, Höhenverstellung
- ⒼⒷ HBM 38 BA axle, wheels, height-adjustment



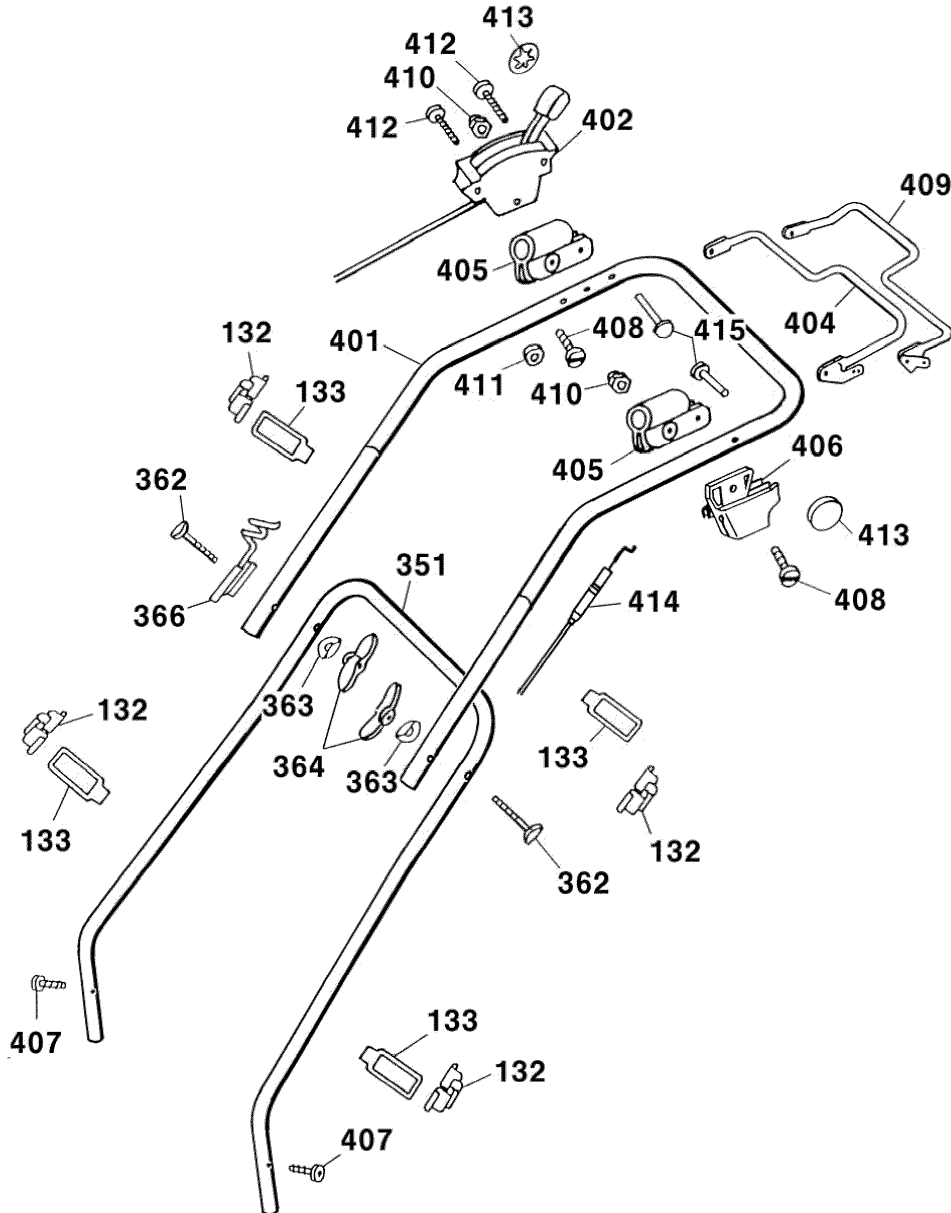
**HBM 38 BA Achse, RÄder, Hhenverstellung**  
**HBM 38 BA axle, wheels, height-adjustment**

| Bild-Nr. /<br>Ref. No. | Best.-Nr. /<br>Part No. | Bezeichnung                           | description                               |
|------------------------|-------------------------|---------------------------------------|---|
| 9                      | 4961 512                | Rasthebel                             | lock lever                                |
| 11                     | 0010 931                | Schraube (4 Stck)                    | screw (4 pieces)                          |
| 12                     | 4001 110                | Fhrung                               | guiding                                   |
| 17                     | 0018 878                | Spannstift                            | dowel pin                                 |
| 18                     | 4961 514                | Zugfeder                              | tension spring                            |
| 19                     | 4961 107                | Zugfed. Verbindungsstange             | ten. spring connecting rod                |
| 20                     | 4001 504                | Verbindungsstange                     | connecting rod                            |
| 22                     | 0020 981                | SL-Sicherung (2 Stck)                | retaining clip (2 pieces)                 |
| 23                     | 4001 306                | Hhenanzeiger                         | height-position indicator                 |
| 36                     | 0010 893                | SF-Schraube (2 Stck)                 | screw (2 pieces)                          |
| 174                    | 1097 000                | Getriebe                              | gear                                      |
| 179                    | 1097 201                | Keilriemenscheibe                     | v-belt pulley                             |
| 180                    | 1097 202                | Spannstift                            | dowel pin                                 |
| 181                    | 1097 205                | Feder                                 | spring                                    |
| 182                    | 1097 200                | Getriebehebel                         | gear lever                                |
| 183                    | 0017 120                | Scheibe                               | washer                                    |
| 184                    | 0016 310                | 6-kt. Mutter                          | hexgon head cap nut                       |
| 250                    | 0017 112                | Scheibe (2 Stck)                     | washer (2 pieces)                         |
| 251                    | 6340 050                | Rad 170 mm Ø (2 Stck)                | wheel 170 mm dia. (2 p.)                  |
| ***                    | 4960 516                | Kugellager, Kunstst.<br>(2 Stck/Rad) | ball bearing, plastic<br>(2 pieces/wheel) |
| 252                    | 4605 050                | Antriebsrad 200 mm Ø<br>(2 Stck)     | driving wheel 200 mm dia.<br>(2 pieces)   |
| ***                    | 6340 516                | Kuggellager, Stahl<br>(2 Stck/Rad)   | ball bearing, steel<br>(2 pieces/wheel)   |
| 253                    | 0020 700                | Schnellbefestiger (2 Stck)           | quick-fixing device (2 piec.)             |
| 254                    | 6450 520                | Radkappe 170 mm Ø (2 St.)             | hub cap 170 mm dia. (2 p.)                |
| 255                    | 6450 530                | Radkappe 200 mm Ø (2 St.)             | hub cap 200 mm dia. (2 p.)                |
| 256                    | 4955 327                | Deckel (2 Stck)                      | wheel cap (2 pieces)                      |

**HBM 38 BA Achse, Räder, Höhenverstellung**  
**HBM 38 BA axle, wheels, height-adjustment**

| <b>Bild-Nr. /<br/>Ref. No.</b> | <b>Best.-Nr. /<br/>Part No.</b> | <b>Bezeichnung</b>               | <b>description</b>                 |
|--------------------------------|---------------------------------|----------------------------------|------------------------------------|
| 257                            | 4005 031                        | Achsrohr, hinten                 | axle pipe, rear                    |
| ***                            | 4005 030                        | Antriebsachse kpl.<br>mit Rädern | driving axle compl.<br>with wheels |
| 266                            | 4605 328                        | Schutzrohr                       | protecting tube                    |
| 267                            | 0020 010                        | Ringsicherung (4 Stück)          | circlip (4 pieces)                 |
| 268                            | 4725 025                        | Kupplungsritzel, rechts          | pinion, right                      |
| 269                            | 4725 026                        | Kupplungsritzel, links           | pinion, left                       |
| 270                            | 0023 147                        | Kugellager (2 Stück)             | ball bearing (2 pieces)            |
| 301                            | 4961 011                        | Achse, vorne                     | axle, front                        |

- Ⓓ HBM 38 BA Griff kpl.
- ⒼⒷ HBM 38 BA handlebar compl.

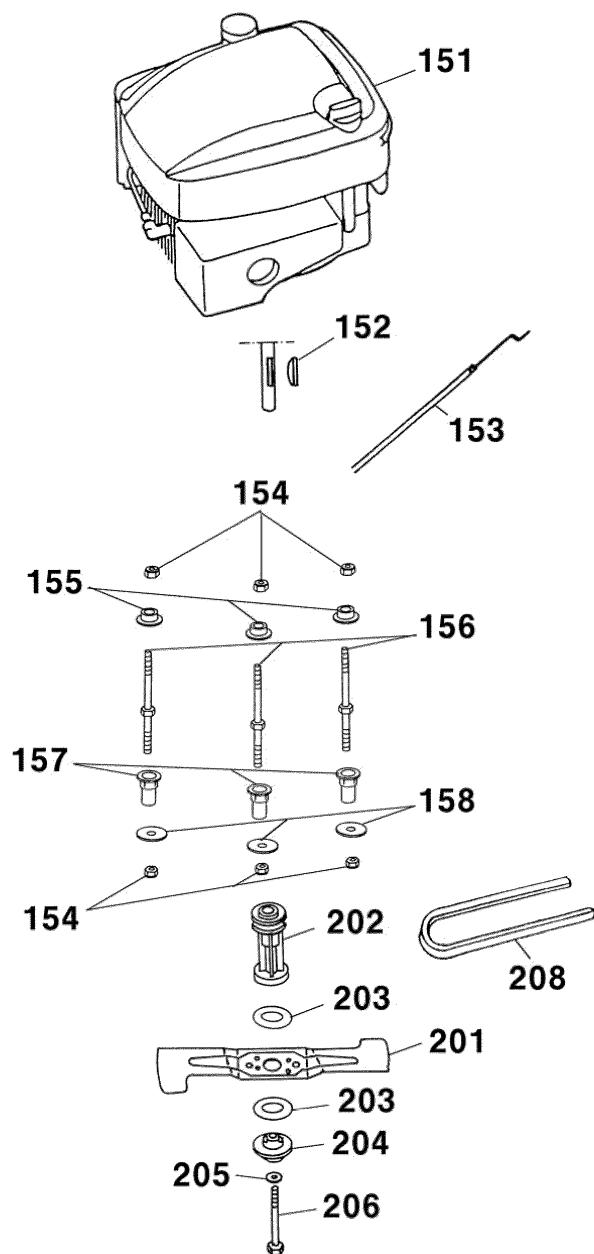


**HBM 38 BA Griff kpl.**  
**HBM 38 BA handlebar compl.**

| <b>Bild-Nr. /<br/>Ref. No.</b> | <b>Best.-Nr. /<br/>Part No.</b> | <b>Bezeichnung</b>                  | <b>description</b>                  |
|--------------------------------|---------------------------------|-------------------------------------|-------------------------------------|
| 132                            | 6340 312                        | Klammer (4 Stück)                   | clamp (4 pieces)                    |
| 133                            | 6340 314                        | Schlaufe (4 Stück)                  | strap (4 pieces)                    |
| 351                            | 3632 110                        | Griffunterteil                      | lower handlebar                     |
| 362                            | 4901 101                        | Verbindungsschr. (2 St.)            | binding screw (2 pieces)            |
| 363                            | 0017 275                        | Hohlscheibe (2 Stück)               | hollow disk (2 pieces)              |
| 364                            | 0016 717                        | Flügelmutter (2 Stück)              | wing nut (2 pieces)                 |
| 366                            | 6340 014                        | Seilführung                         | routing                             |
| 401                            | 4001 021                        | Griffoberteil                       | upper handlebar                     |
| 402                            | 4001 055                        | Schaltgehäuse mit<br>Bowdenzug, Gas | case with bowden wire compl.<br>gas |
| ***                            | 6340 119                        | Gashebel                            | gas lever                           |
| 404                            | 4015 013                        | Bremshebel                          | brake lever                         |
| 405                            | 4720 105                        | Schelle (2 Stück)                   | clamp (2 pieces)                    |
| 406                            | 4015 306                        | Doppelstütze                        | double support                      |
| 407                            | 0015 660                        | Blech-Schraube (2 Stück)            | sheet metal screw (2 pieces)        |
| 408                            | 0012 211                        | Zylinderschraube (2 St.)            | screw (2 pieces)                    |
| 409                            | 4015 035                        | Kupplungshebel                      | coupling lever                      |
| 410                            | 0016 641                        | Hutmutter (2 Stück)                 | nut (2 pieces)                      |
| 411                            | 4240 205                        | Distanzscheibe                      | distance washer                     |
| 412                            | 0012 886                        | PT-Schraube (2 Stück)               | screw (2 pieces)                    |
| 413                            | 3585 503                        | Hutclips (2 Stück)                  | retainer (2 pieces)                 |
| 414                            | 4005 055                        | Bowdenzug, Antrieb                  | bowden wire, drive                  |
| 415                            | 0018 107                        | Bolzen (2 Stück)                    | bolt (2 pieces)                     |
| ***                            | 0054 235                        | Gebrauchsanweisung                  | instruction manual                  |
| ***                            | 4042 026                        | Polybeutel mit Kleinteilen          | poly bag w. self-assembly parts     |



- Ⓓ HBM 38 BA Motor, Messer
- ⒼⒷ HBM 38 BA motor, blade

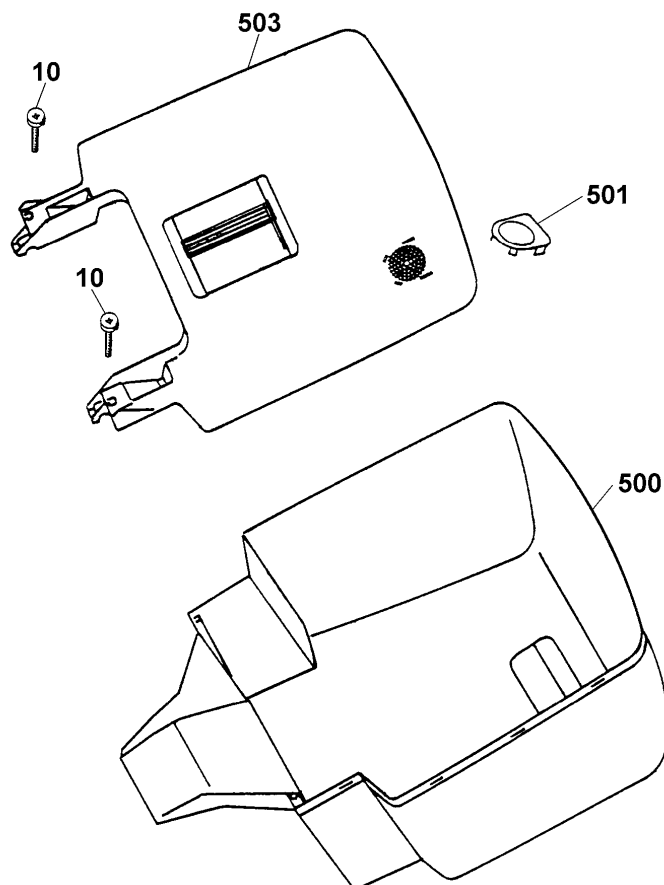


**HBM 38 BA Motor, Messer**  
**HBM 38 BA motor, blade**

| <b>Bild-Nr. /<br/>Ref. No.</b> | <b>Best.-Nr. /<br/>Part No.</b> | <b>Bezeichnung</b>       | <b>description</b>       |
|--------------------------------|---------------------------------|--------------------------|--------------------------|
| 151                            | 2056 000                        | Motor                    | motor                    |
| 152                            | 0029 130                        | Scheibenfeder            | woodruff key             |
| 153                            | 4005 058                        | Bowdenzug Bremse         | bowden wire brake        |
| 154                            | 0016 312                        | 6-kt. Mutter (6 Stück)   | hexagon nut (6 pieces)   |
| 155                            | 4001 172                        | Motorbuchse (3 Stück)    | motor bush (3 pieces)    |
| 156                            | 4001 170                        | Stehbolzen (3 Stück)     | stud bolt (3 pieces)     |
| 157                            | 4601 312                        | Distanzhülse (3 Stück)   | distance bush (3 pieces) |
| 158                            | 0017 111                        | Scheibe (3 Stück)        | washer (3 pieces)        |
| 201                            | 4001 098                        | Messer VI 38 B           | blade VI 38 B            |
| 202                            | 4605 402                        | Antriebsscheibe          | coupling                 |
| 203                            | 6450 403                        | Kupplungsbelag (2 Stück) | clutch facing (2 pieces) |
| 204                            | 4840 402                        | Kupplungsscheibe         | coupling disc            |
| 205                            | 0017 105                        | Spannscheibe             | strain washer            |
| 206                            | 0010 264                        | 6-kt. Schraube           | hexagon screw            |
| 208                            | 0039 210                        | Keilriemen               | v-belt                   |

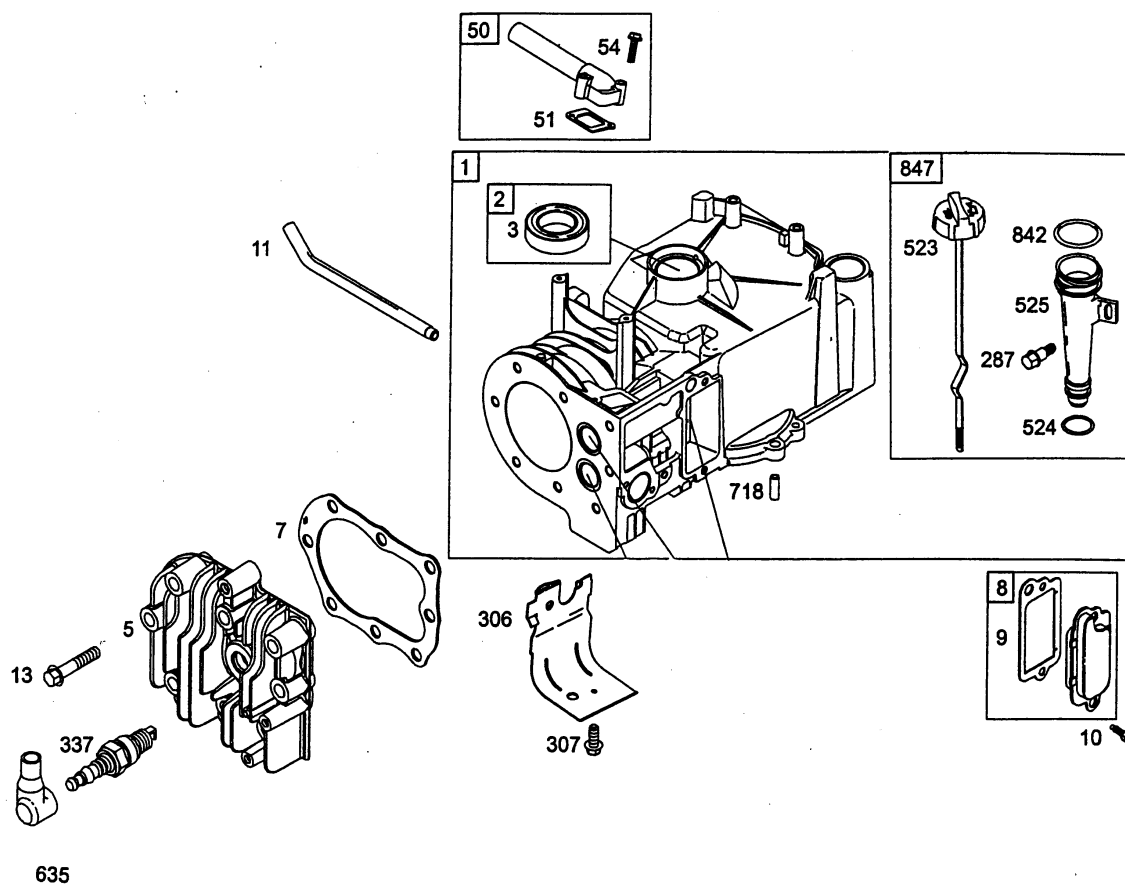
**(D) Fangkorb komplett 4961 065**

**(GB) Grass box compl. 4961 065**



| Bild-Nr. /<br>Ref. No. | Best.-Nr. /<br>Part No. | Bezeichnung        | Description          |
|------------------------|-------------------------|--------------------|----------------------|
| 10                     | 0012 631                | Schraube (2 Stück) | screw (2 pieces)     |
| 500                    | 4961 311                | Fangkorbunterteil  | grass box under part |
| 501                    | 4906 315                | Verschlussdeckel   | cap                  |
| 503                    | 4961 061                | Fangkorboberteil   | grass box upper part |

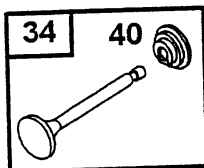
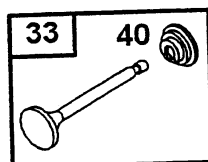
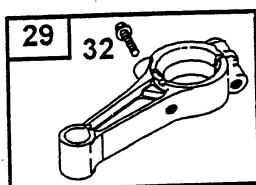
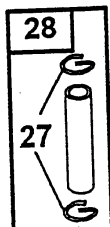
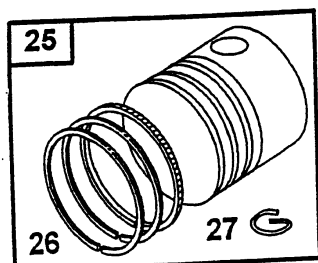
**Quattro 40 KurbelgehÄuse**  
**Quattro 40 cylinder assembly**



**Quattro 40 KurbelgehÄuse**  
**Quattro 40 Cylinder assembly**

| Bild-Nr. /<br>Ref. No. | Best.-Nr. /<br>Part No. | Bezeichnung           | Description            | Part No.<br>B & S |
|------------------------|-------------------------|-----------------------|------------------------|-------------------|
| 1                      | 2007 100                | Zylinder              | cylinder assembly      | 399164            |
| 2                      | 2059 102                | Rep.-Satz             | kit-bushing/seal       | 399269            |
| 3                      | 2057 352                | Simmering-oben        | seal-oil               | 299819            |
| 5                      | 2056 164                | Zylinderkopf          | head-cylinder          | 690386            |
| 7                      | 2056 159                | Zylinderkopfdichtung  | gasket-cylinder head   | 692288            |
| 8                      | 2056 166                | EntlÄfterventil kpl. | breather assembly      | 495785            |
| 9                      | 1034 301                | Dichtung-EntlÄfter   | gasket-breather        | 272602            |
| 10                     | 1034 302                | Schraube              | screw                  | 691666            |
| 11                     | 2056 167                | Leitung               | tube-breather          | 691245            |
| 13                     | 2062 501                | Schraube              | screw                  | 691640            |
| 50                     | 1034 227                | Ansaugrohr-Eingang    | manifold-intake        | 693446            |
| 51                     | 1034 222                | Eingangsdichtung      | gasket-intake          | 270345            |
| 54                     | 2056 168                | Schraube              | screw                  | 691111            |
| 287                    | 2006 304                | Schraube              | screw                  | 691002            |
| 306                    | 2056 170                | Leitblech             | shield-cylinder        | 690400            |
| 307                    | 2063 120                | Schraube              | screw                  | 690345            |
| 337                    | 2085 300                | ZÄndkerze            | plug-spark             | 992041            |
| 523                    | 2056 173                | Ölmessstab            | dipstick               | 692040            |
| 524                    | 2007 205                | O-Ring Ölrrohr        | seal-deapstick tube    | 691876            |
| 525                    | 2003 203                | ÖleinfÄllrohr        | tube-dipstick          | 691320            |
| 635                    | 1034 435                | ZÄndkerzenstecker    | boot-spark plug        | 66538             |
| 718                    | 2057 117                | Paßstift              | pin-locating           | 690959            |
| 842                    | 2056 160                | O-Ring Meßstab        | o-ring seal            | 691870            |
| 847                    | 2056 176                | ÖleinfÄllrohr kpl.   | dipstick/tube assembly | 691440            |

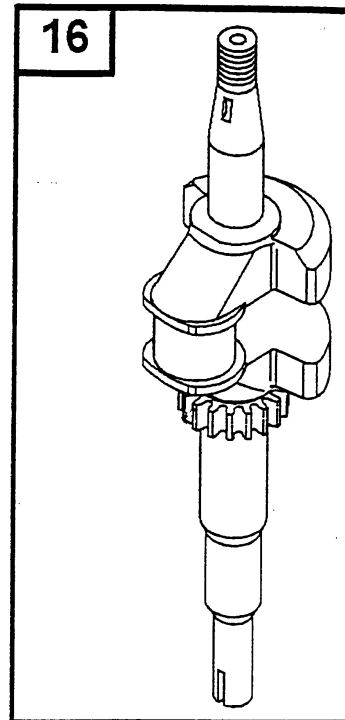
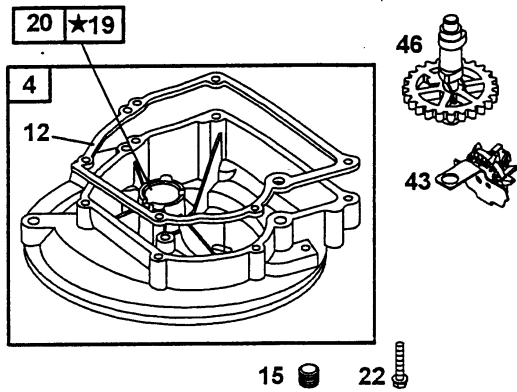
**Quattro 40 Kolben, Pleuel, Ventile**  
**Quattro 40 piston, connecting rod, valve**



**Quattro 40 Kolben, Pleuel, Ventile**  
**Quattro 40 Piston, Connecting rod, Valves**

| Bild-Nr. /<br>Ref. No. | Best.-Nr. /<br>Part No. | Bezeichnung        | description            | Part No.<br>B & S |
|------------------------|-------------------------|--------------------|------------------------|-------------------|
| 25                     | 2056 161                | Kolben             | piston assembly        | 498668            |
| 26                     | 2056 057                | Kolbenringsatz     | ring set               | 498680            |
| 27                     | 1034 113                | Sicherung          | lock-piston pin        | 26026             |
| 28                     | 1034 114                | Kolben-Bolzen kpl. | pin-piston (standard)  | 298909            |
| 29                     | 2056 163                | Pleuel             | rod-connecting         | 496792            |
| 32                     | 2059 115                | Schraube           | screw                  | 691664            |
| 33                     | 1034 213                | Ventil-Ausla      | valve-exhaust          | 296676            |
| 34                     | 1034 214                | Ventil-Einla      | valve-intake           | 296677            |
| 35                     | 1034 215                | Feder-Einla       | spring-valve (intake)  | 690520            |
| 36                     | 1034 215                | Feder-Ausla       | spring-valve (exhaust) | 690520            |
| 40                     | 1034 217                | Ventilteller       | retainer-valve         | 692194            |
| 45                     | 1034 218                | Ventilstoel      | tappet-valve           | 230173            |

**Quattro 40 Kurbelwelle, Ölwanne**  
**Quattro 40 crankshaft, sump bases**



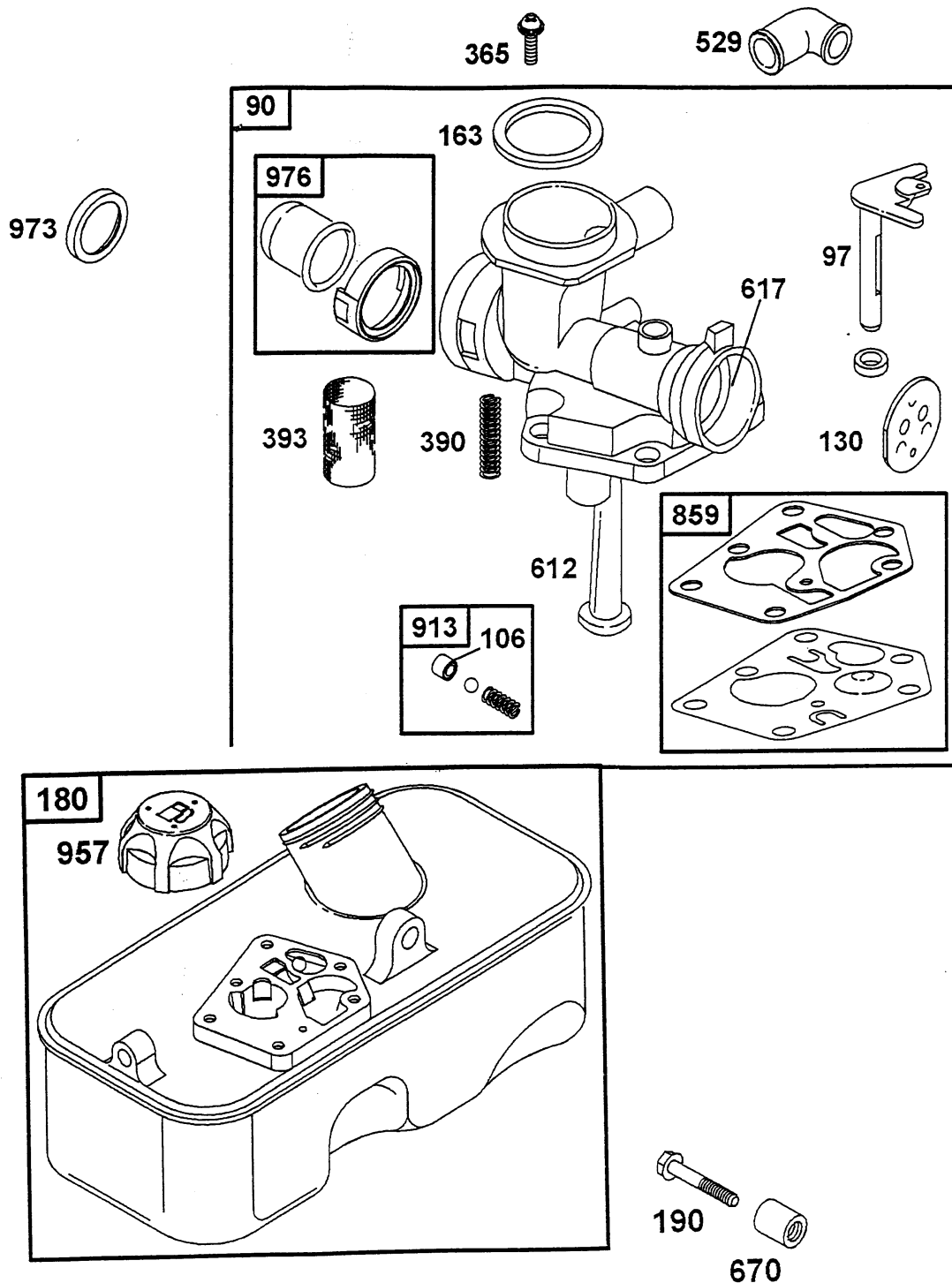


**Quattro 40 Kurbelwelle, Ölwanne**  
**Quattro 40 Crankshaft, Sump bases**

| <b>Bild-Nr. /<br/>Ref. No.</b> | <b>Best-Nr. /<br/>Part No.</b> | <b>Bezeichnung</b> | <b>Description</b>   | <b>Part No.<br/>B &amp; S</b> |
|--------------------------------|--------------------------------|--------------------|----------------------|-------------------------------|
| 4                              | 2056 133                       | Ölwanne            | sump-engine          | 395384                        |
| 12                             | 1007 201                       | Dichtung           | gasket-crankcase     | 692218                        |
| 15                             | 2058 204                       | Ölablaßschraube    | plug-oil drain       | 691680                        |
| 16                             | 2056 190                       | Kurbelwelle        | crankshaft           | 691471                        |
| 19                             | 1034 205                       | Rep.-Buchse        | kit bushing/seal     | 293709                        |
| 20                             | 2056 304                       | Wellendichtring    | seal-oil             | 391483                        |
| 22                             | 2056 134                       | Schraube           | screw                | 691662                        |
| 24                             | 2057 130                       | Schwungradkeil     | key-flywheel         | 222698                        |
| 43                             | 2056 135                       | Regler             | slinger-governor/oil | 691983                        |
| 46                             | 2056 136                       | Nockenwelle        | camshaft             | 691998                        |
| 377                            | 0029 055                       | Kurbelwellenkeil   | key                  | 692193                        |

NR:4005 005 Bezeichnung: HBM 38 BA Gruppe: BenzinmÄher Jahr: 03 Typ: A

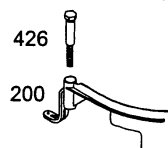
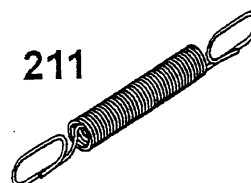
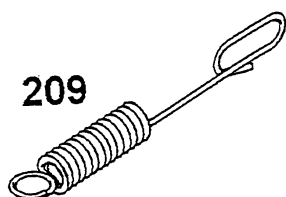
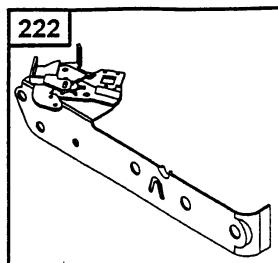
**Quattro 40 Vergaser, Tank**  
**Quattro 40 carburetor, fuel tank**



**Quattro 40 Vergaser, Tank**  
**Quattro 40 Carburetor, Fuel tank**

| <b>Bild-Nr. /<br/>Ref. No.</b> | <b>Best.-Nr. /<br/>Part No.</b> | <b>Bezeichnung</b>    | <b>Description</b> | <b>Part No.<br/>B &amp; S</b> |
|--------------------------------|---------------------------------|-----------------------|--------------------|-------------------------------|
| 90                             | 2056 056                        | Vergaser kpl.         | carburetor         | 498811                        |
| 97                             | 2056 145                        | Welle                 | shaft-trottle      | 691931                        |
| 106                            | 2056 146                        | Dichtung              | inlet seat         | 691901                        |
| 130                            | 2056 147                        | Drosselklappe         | valve-throttle     | 691190                        |
| 163                            | 2056 148                        | Dichtung-Luftfilter   | gasket-air cleaner | 271139S                       |
| 180                            | 2056 055                        | Tank kpl.             | fuel-tank          | 494406                        |
| 190                            | 2062 501                        | Schraube              | screw              | 691697                        |
| 365                            | 2056 149                        | Schraube              | screw              | 692200                        |
| 390                            | 2056 150                        | Feder                 | spring-diaphragm   | 691839                        |
| 393                            | 2056 151                        | Sieb                  | screen-carburetor  | 691837                        |
| 529                            | 2056 152                        | Kniestück             | grommet            | 692189                        |
| 612                            | 2056 154                        | Rohr                  | tube-pickup        | 496046S                       |
| 617                            | 2056 155                        | Dichtung              | seal o-ring        | 270344S                       |
| 670                            | 2067 501                        | Hülse                 | spacer-fuel tank   | 94047                         |
| 859                            | 2056 417                        | Membrane mit Dichtung | membrane w. seal   | 495770                        |
| 913                            | 2056 156                        | Ventilsitz            | seat-check valve   | 494409                        |
| 957                            | 2056 144                        | Tankdeckel            | cap-fuel tank      | 497929                        |
| 973                            | 2056 157                        | O-Ring                | ring-trim          | 691347                        |
| 976                            | 2056 158                        | Primer kpl.           | primer-carburetor  | 494408                        |

**Quattro 40 Regelung**  
**Quattro 40 controls electrical**

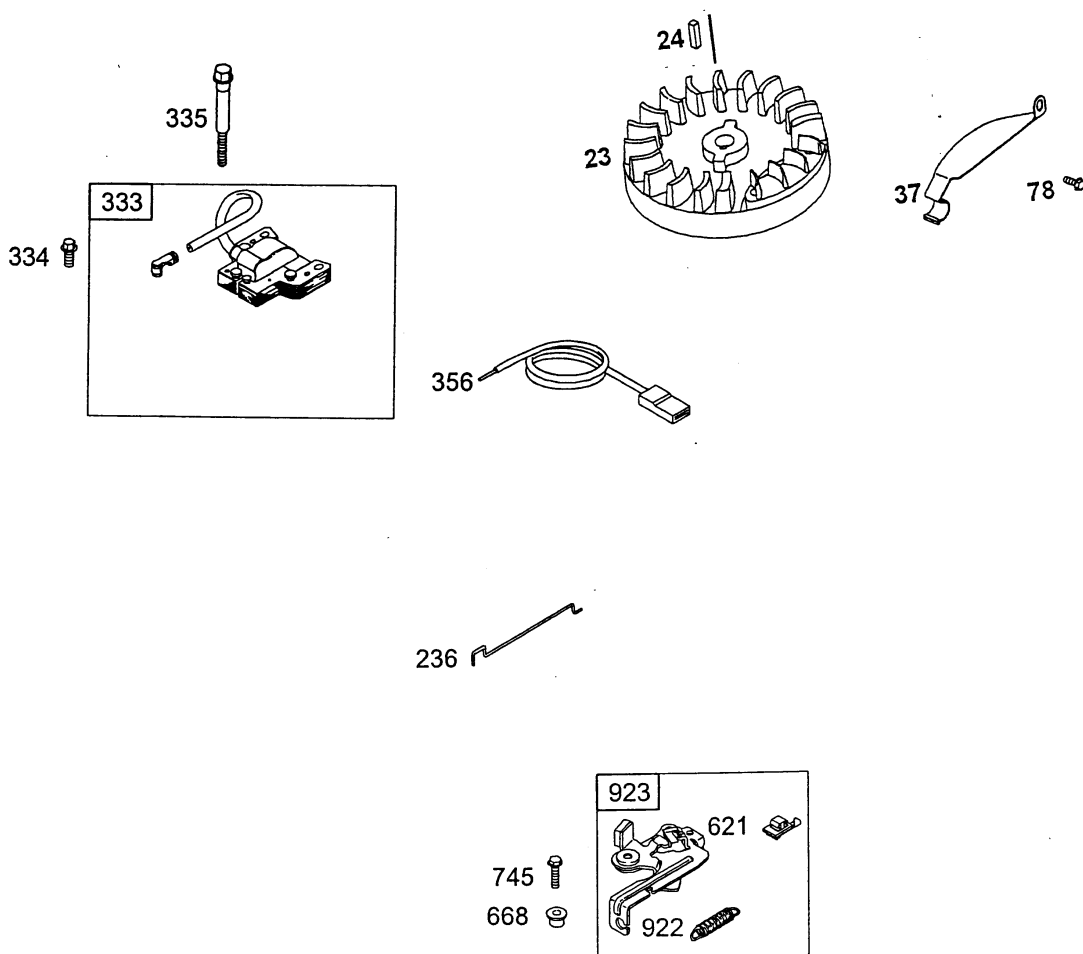


B14

**Quattro 40 Regelung**  
**Quattro 40 Controls electrical**

| <b>Bild-Nr. /<br/>Ref. No.</b> | <b>Best.-Nr. /<br/>Part No.</b> | <b>Bezeichnung</b> | <b>Description</b> | <b>Part No.<br/>B &amp; S</b> |
|--------------------------------|---------------------------------|--------------------|--------------------|-------------------------------|
| 188                            | 2063 314                        | Schraube           | hexagon screw      | 690297                        |
| 200                            | 2056 169                        | Windfahne          | blade-governor     | 691912                        |
| 201                            | 2056 131                        | Gestange          | link-governor      | 690347                        |
| 209                            | 2056 138                        | Vollgasfeder       | spring governor    | 690254                        |
| 211                            | 2056 139                        | Leerlauffeder      | spring governor    | 691859                        |
| 222                            | 2056 132                        | Reglerplatte       | bracket-control    | 691445                        |
| 265                            | 2063 312                        | Schelle            | clamp-casing       | 690798                        |
| 267                            | 2063 313                        | Schraube           | screw              | 691044                        |
| 426                            | 2056 172                        | Schraube           | screw              | 691107                        |

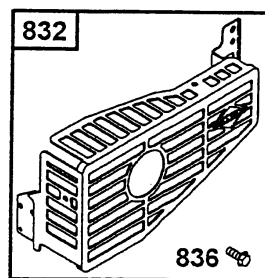
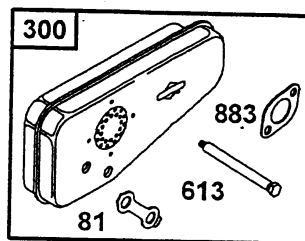
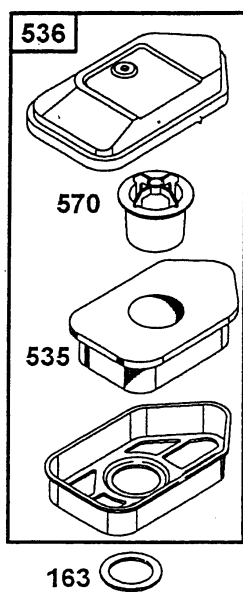
**Quattro 40 Polrad, Zndspule, Bremse**  
**Quattro 40 flywheel, electrical, brake**



**Quattro 40 Polrad, Zündspule, Bremse**  
**Quattro 40 Flywheel, Electrical, Brake**

| <b>Bild-Nr. /<br/>Ref. No.</b> | <b>Best.-Nr. /<br/>Part No.</b> | <b>Bezeichnung</b> | <b>Description</b> | <b>Part No.<br/>B &amp; S</b> |
|--------------------------------|---------------------------------|--------------------|--------------------|-------------------------------|
| 23                             | 2056 184                        | Schwungrad         | fleywheel          | 692009                        |
| 24                             | 2057 130                        | Schwungradkeil     | key-fleywheel      | 222698                        |
| 37                             | 2056 178                        | Schutzblech        | guard-fleywheel    | 690482                        |
| 78                             | 2063 314                        | Schraube           | screw              | 690297                        |
| 236                            | 2059 312                        | Gestänge           | link-lockout       | 691826                        |
| 333                            | 2003 051                        | Zündspule          | armature-magneto   | 496914                        |
| 334                            | 2003 103                        | Schraube           | screw              | 691061                        |
| 335                            | 2003 104                        | Schraube           | screw              | 691107                        |
| 356                            | 2057 183                        | Kurzschlußkabel    | wire-stop          | 692390                        |
| 621                            | 2063 131                        | Stopschalter       | switch-stop        | 692310                        |
| 668                            | 2063 221                        | Hülse              | spacer             | 692889                        |
| 745                            | 2056 140                        | Schraube           | screw              | 691146                        |
| 922                            | 2056 141                        | Feder              | spring-brake       | 692135                        |
| 923                            | 2056 142                        | Bremse             | brake              | 691487                        |

**Quattro 40 Luftfilter, SchalldÄmpfer**  
**Quattro 40 air cleaner, muffler**

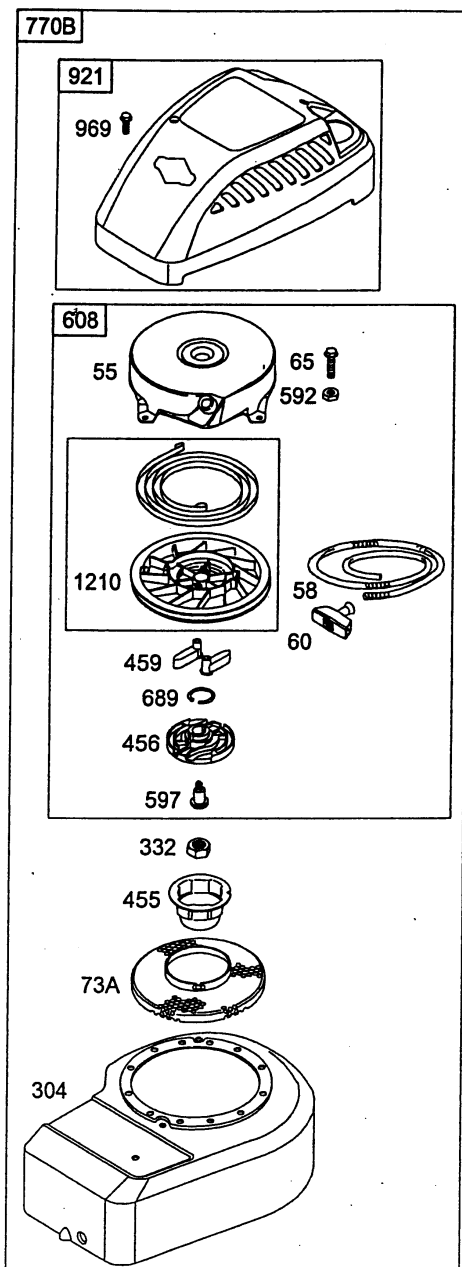




**Quattro 40 Luftfilter, SchalldÄmpfer**  
**Quattro 40 Air cleaner, Muffler**

| <b>Bild-Nr. /<br/>Ref. No.</b> | <b>Best.-Nr. /<br/>Part No.</b> | <b>Bezeichnung</b>  | <b>Description</b>      | <b>Part No.<br/>B &amp; S</b> |
|--------------------------------|---------------------------------|---------------------|-------------------------|-------------------------------|
| 81                             | 2056 119                        | Sicherung           | lock muffler screw      | 691179                        |
| 163                            | 1007 503                        | Dichtung-Luftfilter | gasket-air cleaner      | 271139                        |
| 300                            | 2056 309                        | SchalldÄmpfer      | Muffler                 | 394644                        |
| 534                            | 2002 408                        | Schraube            | screw (air-cleaner)     | 691417                        |
| 535                            | 2056 305                        | Luftfiltereinsatz   | filter-air cleaner foam | 272235                        |
| 536                            | 2056 301                        | Luftfilter kpl.     | cleaner-air compl.      | 493492                        |
| 570                            | 2056 306                        | Lagerdeckel         | support-foam element    | 691911                        |
| 613                            | 2007 206                        | Schraube            | screw                   | 93935                         |
| 832                            | 2056 118                        | Berührungsschutz    | guard                   | 494896                        |
| 836                            | 2057 108                        | Schraube            | screw                   | 94874                         |
| 883                            | 2056 310                        | Dichtung-Auspuff    | gasket-muffler          | 272252                        |

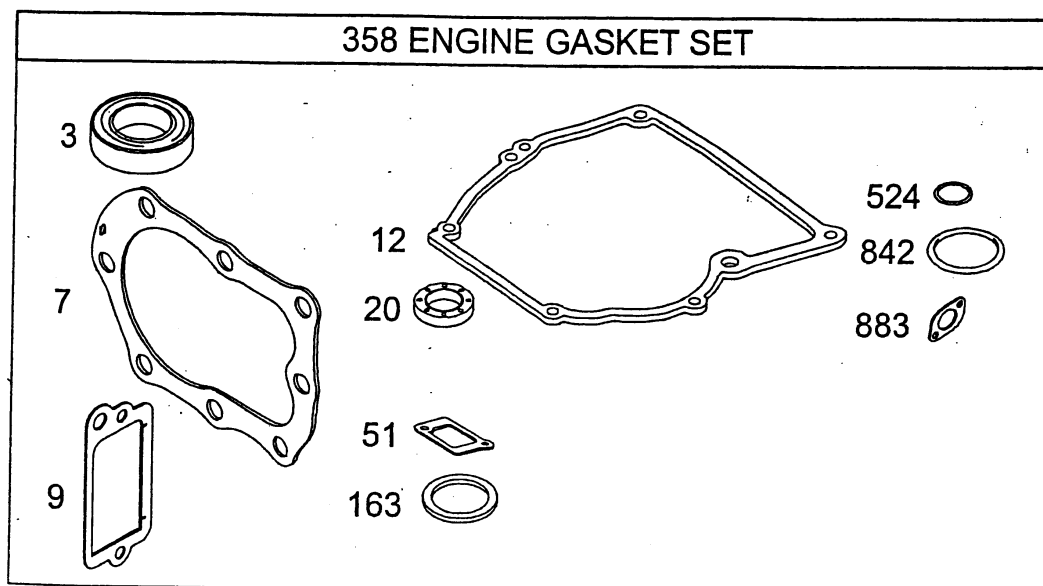
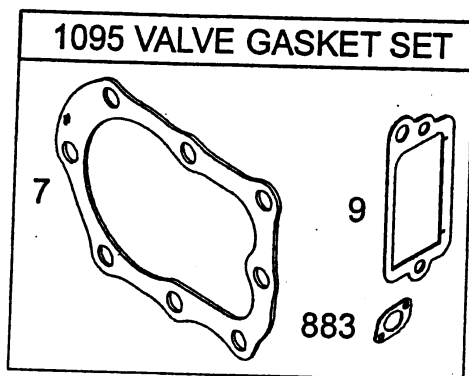
**Quattro 40 Abdeckung, Starter**  
**Quattro 40 covers, blower housing**



**Quattro 40 Abdeckung, Starter**  
**Quattro 40 Cover, Blower housing**

| <b>Bild-Nr. /<br/>Ref. No.</b> | <b>Best.-Nr. /<br/>Part No.</b> | <b>Bezeichnung</b>       | <b>Description</b>  | <b>Part No.<br/>B &amp; S</b> |
|--------------------------------|---------------------------------|--------------------------|---------------------|-------------------------------|
| 55                             | 2056 121                        | StartergehÄuse           | housing-rewind      | 692144                        |
| 58                             | 2056 122                        | Starterseil              | rope-starter        | 692259                        |
| 60                             | 2056 123                        | Handgriff                | grip-starter rope   | 691915                        |
| 65                             | 1001 158                        | Schraube                 | screw               | 690837                        |
| 73A                            | 2056 300                        | Fingerschutz             | screen-rotating     | 691235                        |
| 304                            | 2056 311                        | Lüfterhaube              | housing-blower      | 691484                        |
| 332                            | 2056 312                        | Mutter                   | nut                 | 690662                        |
| 455                            | 2056 303                        | Starterglocke            | cup-flywheel        | 691236                        |
| 456                            | 2056 313                        | Klinkenscheibe           | plate-pawl friction | 692299                        |
| 459                            | 2069 302                        | Starterklinke            | pawl-ratchet        | 281505                        |
| 592                            | 1001 156                        | Mutter                   | nut                 | 690800                        |
| 597                            | 1034 438                        | Schraube                 | screw               | 691696                        |
| 608                            | 2056 125                        | Starter kpl.             | starter-rewind      | 499706                        |
| 689                            | 2056 185                        | Sicherung                | spring-friction     | 691855                        |
| 770B                           | 2056 058                        | Lüfterhaube-Starter kpl. | kit-rewind/blower   | 497616                        |
| 921                            | 2056 188                        | Abdeckung                | cover-blower        | 694044                        |
| 969                            | 2056 189                        | Schraube                 | screw               | 692198                        |
| 1210                           | 2056 127                        | Seilscheibe kpl.         | pulley-starter      | 499901                        |

**Quattro 40 Dichtungssatz**  
**Quattro 40 gasket set**



**Quattro 40 Dichtungssatz**  
**Quattro 40 Gasket set**

| <b>Bild-Nr. /<br/>Ref. No.</b> | <b>Best.-Nr. /<br/>Part. No.</b> | <b>Bezeichnung</b>       | <b>Description</b>   | <b>Part No.<br/>B &amp; S</b> |
|--------------------------------|----------------------------------|--------------------------|----------------------|-------------------------------|
| 3                              | 2057 352                         | Simmering-oben           | seal-oil             | 299819                        |
| 7                              | 2056 159                         | Zylinderkopfdichtung     | gasket-cylinder head | 692288                        |
| 9                              | 1034 301                         | Dichtung-Entlüfter       | gasket breather      | 272602                        |
| 12                             | 1007 201                         | Dichtung-Ölwanne         | gasket-crankcase     | 692218                        |
| 20                             | 1007 203                         | Simmering-unten          | seal-oil             | 391483                        |
| 51                             | 1034 222                         | Dichtung-Eingang         | gasket-intake        | 270345                        |
| 163                            | 1007 503                         | Dichtung-Luftfilter      | gasket-air cleaner   | 271139                        |
| 358                            | 1034 050                         | Dichtungssatz Motor kpl. | engine gasket-set    | 298989                        |
| 524                            | 2007 205                         | O-Ring-Ölrohr            | seal-dipstick tube   | 691876                        |
| 842                            | 2056 160                         | O-Ring-Meßstab           | o-ring seal          | 691870                        |
| 1095                           | 2056 117                         | Dichtungssatz            | valve gasket-set     | 498526                        |