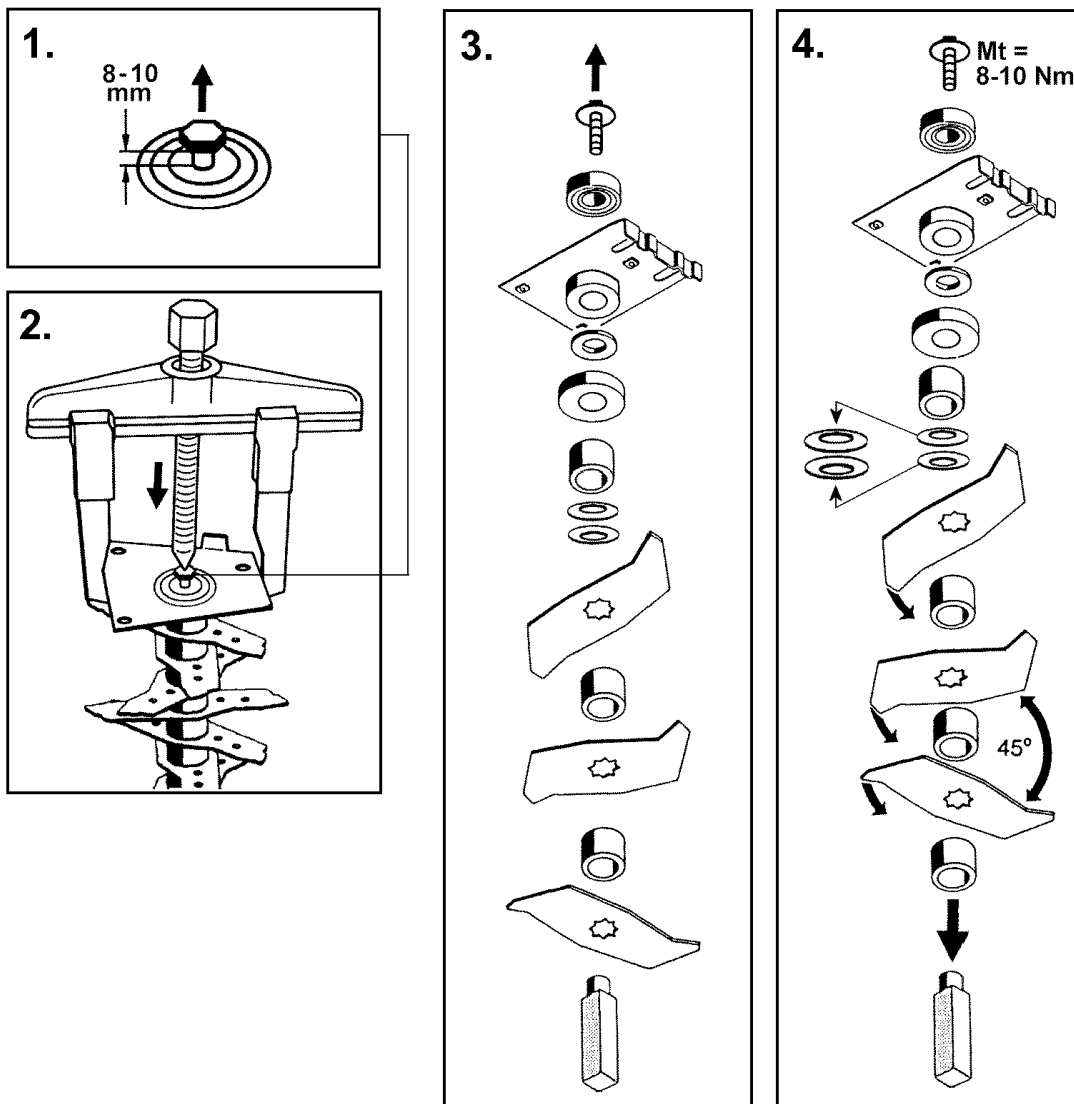




- |                      |                       |                      |
|----------------------|-----------------------|----------------------|
| <b>(D)</b> Montage   | <b>(NL)</b> Montage   | <b>(S)</b> Montering |
| <b>(GB)</b> Assembly | <b>(DK)</b> Montering | <b>(CZ)</b> Montáž   |
| <b>(F)</b> Montage   | <b>(FIN)</b> Asennus  | <b>(H)</b> Szerelés  |
| <b>(I)</b> Montaggio | <b>(N)</b> Montering  | <b>(PL)</b> Montaż   |

### UV-EV 3568 081



Teil-Nr. 3568 284 03/03 - HDS/TB